

installation and user manual

SENTINEL TOWER

STW 5000 - 6000 - 8000 - 10000
STW 6000 ER - 10000 ER



INTRODUCTION

Congratulations on purchasing a **UPS Sentinel Tower** product and welcome to **Riello UPS!** To use the support service offered by **Riello UPS**, visit the site **www.riello-ups.com**

Our Company is a specialist in the design, development and manufacturing of uninterruptible power supplies (UPS). The UPS described in this manual is a high quality product which has been carefully designed and built in order to guarantee the highest levels of performance.

This device can be installed by anyone on the condition that they have **READ THIS INSTALLTION AND USER MANUAL CAREFULLY.**

The UPS and the Battery Cabinet generate DANGEROUS internal electrical voltages. All maintenance operations must be carried out by suitably qualified operators.

This manual contains detailed instructions for using and installing the UPS and any additional Battery Cabinet. **For information on how to use and maximise the performance of your device, please retain this manual and read it carefully before operating the equipment.**

ENVIRONMENTAL PROTECTION

In the development of its products, the company devotes abundant resources to analysing the environmental aspects. All our products pursue the objectives defined in the environmental management system developed by the company in compliance with applicable standards.

No hazardous materials such as CFCs, HCFCs or asbestos are used in this product.

When evaluating packaging, the choice of material has been made favouring recyclable materials. For correct disposal, please separate and identify the type of material of which the packaging is made according to the table below. Dispose of all material in compliance with applicable standards in the country in which the product is used.

| DESCRIPTION | MATERIAL |
|--------------------|-------------------|
| Box | Cardboard |
| Packaging corner | Cardboard |
| Protective bag | Polythene |
| Accessories bag | Polythene |
| Pallet | Heat-treated pine |

DISPOSING OF THE PRODUCT

The UPS and the Battery Cabinet contain electronic internal material that (in case of dismiss / disposal) are considered TOXIC and HAZARDOUS WASTE, such as electronic circuit boards and batteries. Treat these materials according to the laws applicable referring to qualified service personnel. Their proper disposal contributes to respect the environment and human health.

© The reproduction of any part of this manual, in whole or in part, is forbidden without the prior consent of the manufacturer. In order to make improvements, the manufacturer reserves the right to modify the product described at any moment and without notice.

CONTENTS

| | |
|--|-----------|
| PRESENTATION | 6 |
| <i>UPS VIEWS</i> | <i>7</i> |
| <i>FRONT VIEW</i> | <i>7</i> |
| <i>REAR VIEW</i> | <i>8</i> |
| <i>DISPLAY PANEL VIEW</i> | <i>9</i> |
| <i>BATTERY CABINET (OPTIONAL)</i> | <i>10</i> |
| <i>ADDITIONAL INTERNAL BATTERY CHARGERS (ONLY FOR “ER” VERSIONS)</i> | <i>10</i> |
| INSTALLATION | 11 |
| <i>INITIAL CONTENT CHECK</i> | <i>11</i> |
| <i>REMOVAL OF THE UPS (OR BATTERY CABINET) FROM THE PALLET</i> | <i>12</i> |
| <i>INSTALLATION ENVIRONMENT</i> | <i>14</i> |
| <i>UPS PLACEMENT (OR BATTERY CABINET)</i> | <i>14</i> |
| <i>POWER CONNECTION</i> | <i>15</i> |
| <i>INSTRUCTIONS FOR 5 – 6 KVA MODELS</i> | <i>15</i> |
| <i>INSTRUCTIONS FOR 8 – 10 KVA MODELS</i> | <i>16</i> |
| <i>INTERNAL PROTECTIVE DEVICES OF THE UPS</i> | <i>17</i> |
| <i>EXTERNAL PROTECTIVE DEVICES</i> | <i>18</i> |
| <i>CONNECTION CABLES CROSS SECTION DETAILS</i> | <i>18</i> |
| <i>CONNECTIONS</i> | <i>19</i> |
| <i>WIRING DIAGRAMS FOR CONNECTING TO THE ELECTRICAL SYSTEM</i> | <i>20</i> |
| <i>BATTERY CABINET INSTALLATION</i> | <i>21</i> |
| <i>UPS – BATTERY CABINET CONNECTION</i> | <i>21</i> |
| <i>CONFIGURING THE RATED BATTERY CAPACITY</i> | <i>21</i> |
| USE | 22 |
| <i>SWITCHING ON FOR THE FIRST TIME</i> | <i>22</i> |
| <i>SWITCHING ON FROM THE MAINS</i> | <i>22</i> |
| <i>SWITCHING ON FROM THE BATTERY</i> | <i>22</i> |
| <i>SWITCHING OFF THE UPS</i> | <i>22</i> |
| <i>INTERNAL CLOCK SETTING</i> | <i>22</i> |
| <i>DISPLAY PANEL MESSAGES</i> | <i>23</i> |
| <i>UPS STATUS MESSAGES</i> | <i>23</i> |
| <i>MEASUREMENT DISPLAY AREA</i> | <i>24</i> |
| <i>OPERATING MODE CONFIGURATION</i> | <i>25</i> |

| | |
|--|------------------|
| <i>POSSIBLE SETTINGS</i> | 25 |
| <i>ADDITIONAL FUNCTIONS</i> | 25 |
| <i>REDUNDANT AUXILIARY POWER ADAPTER FOR AUTOMATIC BYPASS</i> | 26 |
| <i>EXTERNAL TEMPERATURE PROBE</i> | 26 |
| SOFTWARE | 27 |
| <i>MONITORING AND CONTROL SOFTWARE</i> | 27 |
| <i>CONFIGURATION SOFTWARE</i> | 27 |
| UPS CONFIGURATION | 28 |
| COMMUNICATION PORTS | 30 |
| <i>RS232 CONNECTOR</i> | 30 |
| <i>COMMUNICATION SLOT</i> | 30 |
| <u>TROUBLESHOOTING</u> | <u>31</u> |
| <i>STATUS / ALARM CODES</i> | 35 |
| <u>TECHNICAL DATA</u> | <u>37</u> |
| <i>MECHANICAL DIMENSION</i> | 38 |

PRESENTATION

SENTINEL TOWER uses ON-LINE double conversion technology, the best solution for powering mission critical applications and electro-medical devices requiring maximum power reliability.

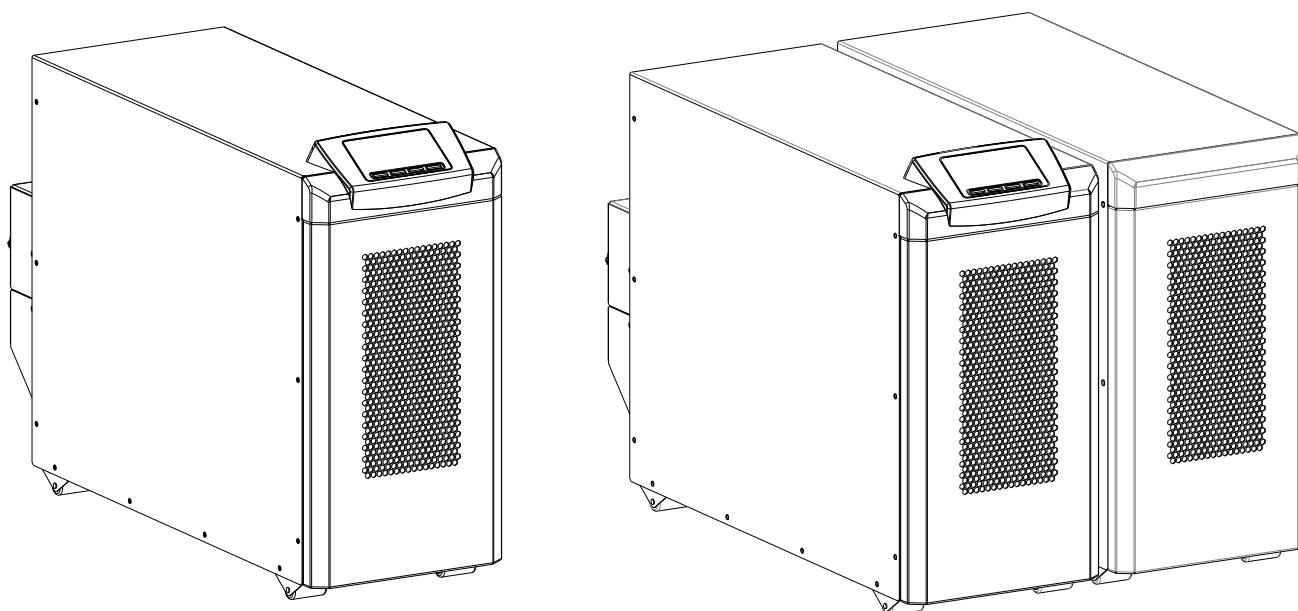
Flexibility of installation and use (digital display, user-replaceable battery set), as well as the many communication options available, makes the SENTINEL TOWER suitable for many different applications from IT to security.

Up to 3 **SENTINEL TOWER** can be operated in parallel in either capacity or N+1 redundant configuration offering increased reliability for critical system.

SENTINEL TOWER in the 5000VA and 6000VA versions, was developed to be powered by a single-phase input.

SENTINEL TOWER in the 8000VA and 10000VA versions, was developed to be powered by a three-phase input; when suitably configured, it can also function with a single-phase input. In the THREE-PHASE connection, the load current will be split between the three input phases; if the bypass intervenes or in the bypass mode operation, all the load current will be absorbed by the "L1" input line.

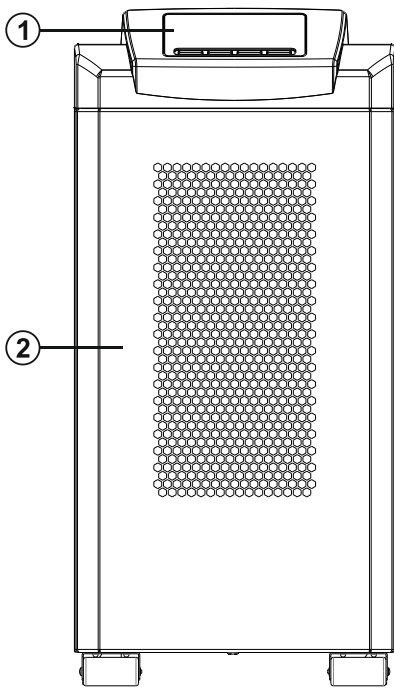
ER series models are fitted with upgraded battery charges for long runtime and business continuity applications. For these versions, the batteries are housed in separate cabinets.



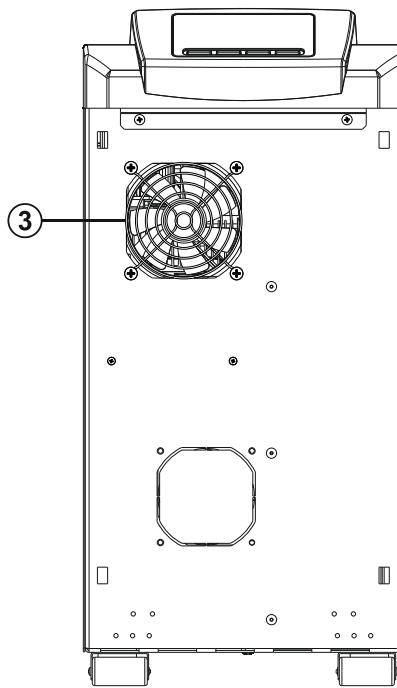
Example of UPS and UPS + BATTERY CABINET

UPS VIEWS

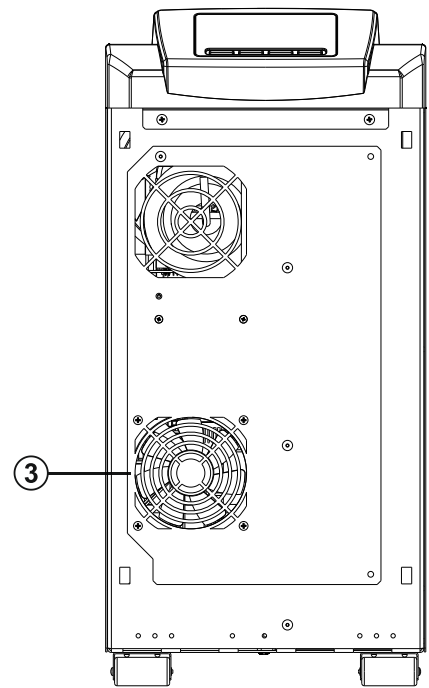
FRONT VIEW



All models



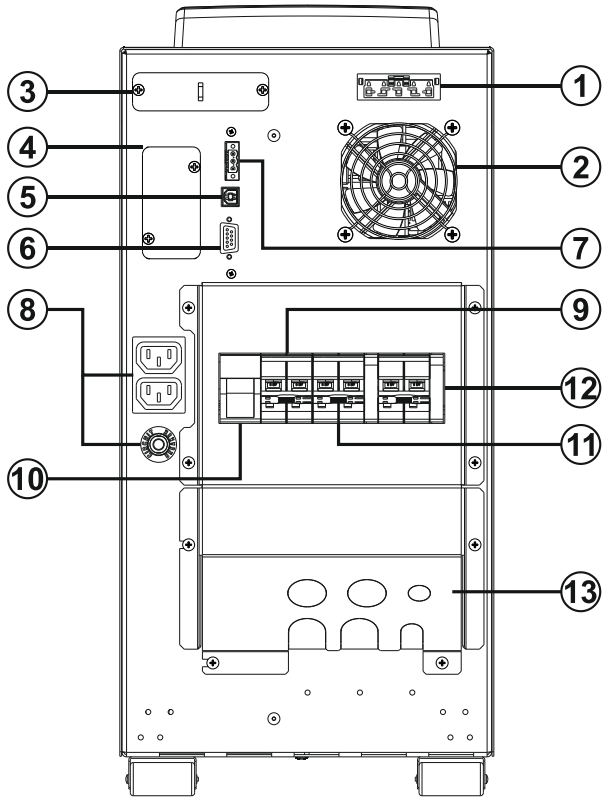
*Models 5 – 6 kVA
without front panel*



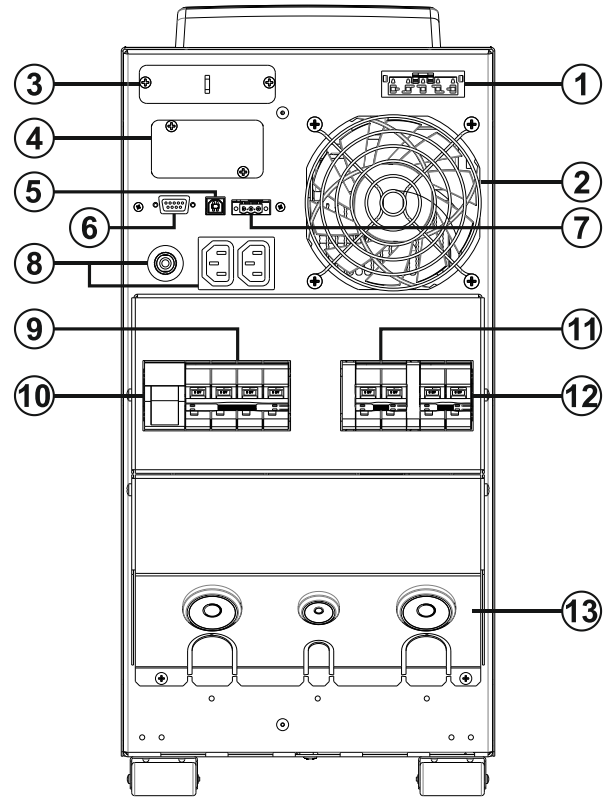
*Models 8 – 10 kVA
without front panel*

- ① Display panel
- ② Removable front panel
- ③ Cooling fan

REAR VIEW



Models 5 – 6 kVA

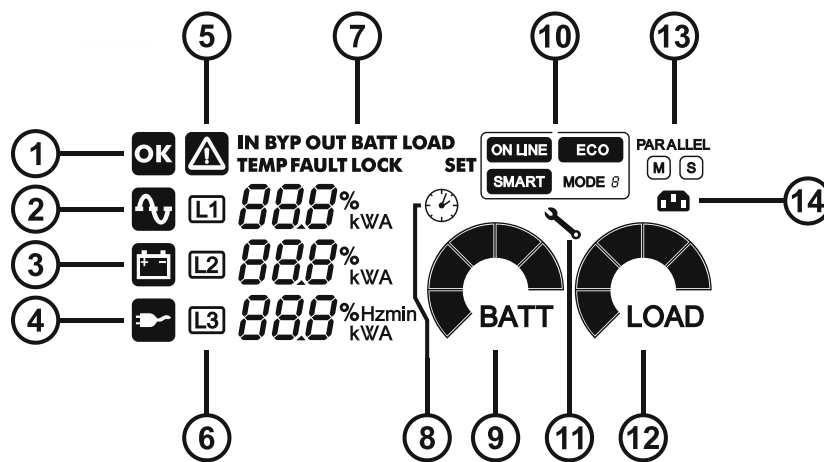
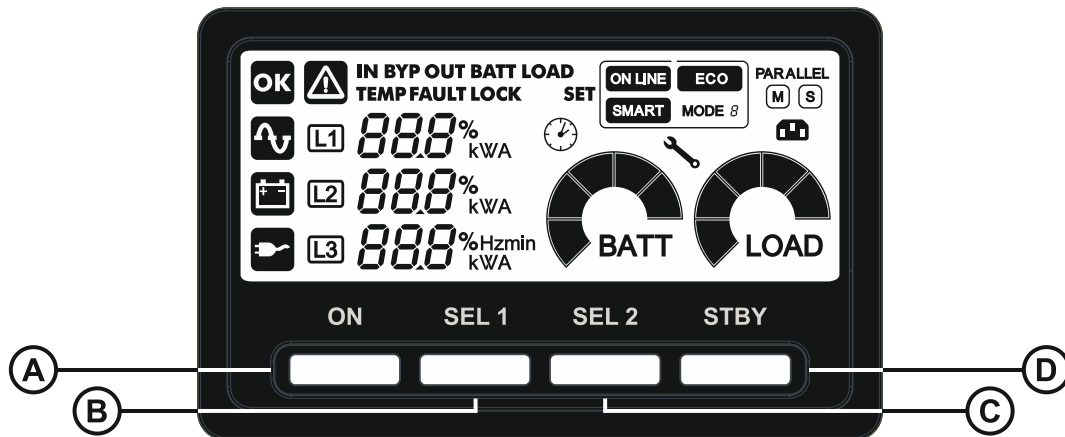


Models 8 – 10 kVA

- ① Battery expansion connector
- ② Cooling fan
- ③ Parallel card (optional)
- ④ Slot for optional accessory communication cards and contacts cards
- ⑤ USB communication port
- ⑥ RS232 Communication port
- ⑦ Remote commands terminal

- ⑧ EnergyShare sockets (10A max) and overcurrent protection
- ⑨ Mains input switch (SWIN)
- ⑩ Internal battery fuse holder isolator (SWBATT)
- ⑪ Manual bypass switch (SWMB)
- ⑫ Output switch (SWOUT)
- ⑬ Terminals cover panel

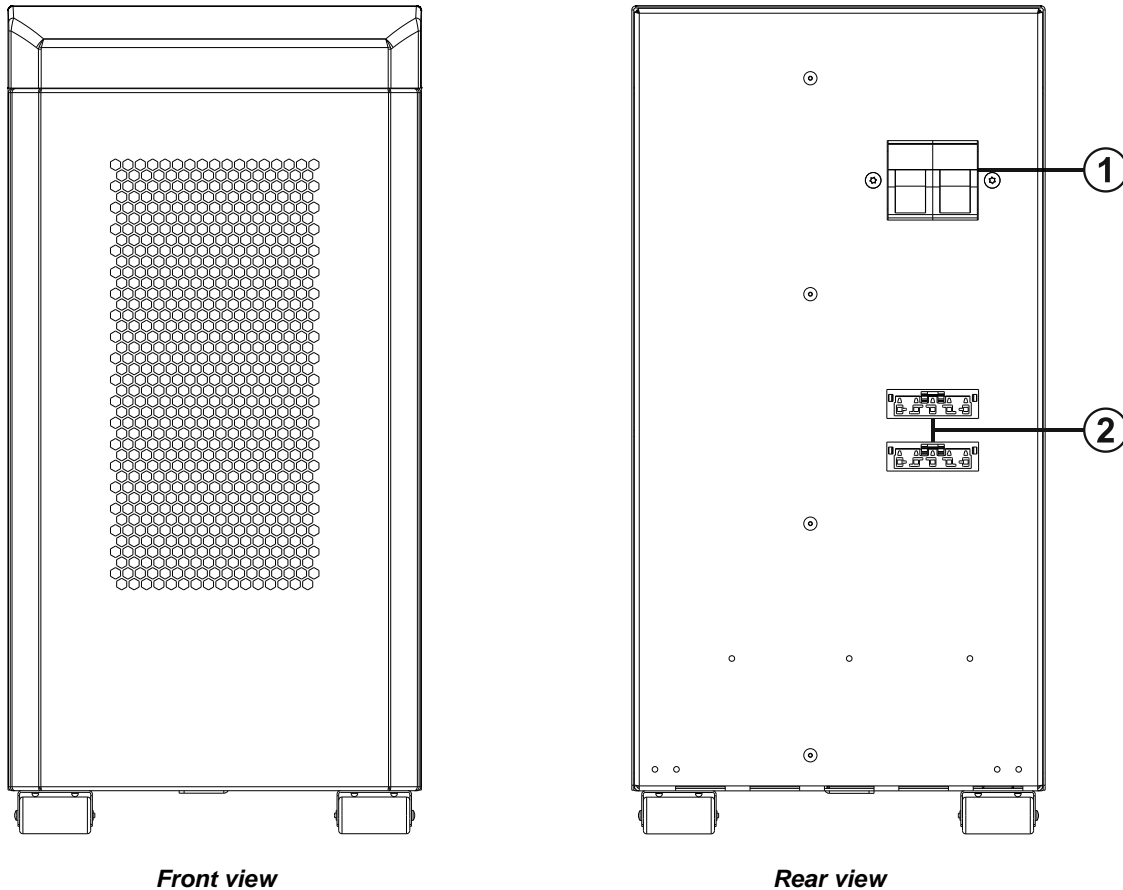
DISPLAY PANEL VIEW



- | | |
|---|--|
| <p>(A) “ON” button</p> <p>(B) “SEL1” button</p> <p>(C) “SEL2” button</p> <p>(D) “STAND-BY” button</p> <p>(1) Regular operation</p> <p>(2) Mains operation</p> <p>(3) Battery operation</p> <p>(4) Load powered by bypass</p> <p>(5) Stand-by / alarm</p> | <p>(6) Input phase indicator</p> <p>(7) Measurement display area</p> <p>(8) Timer</p> <p>(9) Battery charge indicator</p> <p>(10) Configuration area</p> <p>(11) Maintenance request</p> <p>(12) Load level indicator</p> <p>(13) Parallel mode indicator</p> <p>(14) EnergyShare</p> |
|---|--|

BATTERY CABINET (OPTIONAL)

The BATTERY CABINET, with the same dimensions and aesthetic appearance of the UPS, is an optional accessory. The BATTERY CABINET contains batteries which allow the operating time of the uninterruptible power supplies to be increased during extended blackouts. The number of batteries contained can vary according to the type of UPS for which the BATTERY CABINET is intended. It is therefore necessary to take great care to ensure that the battery voltage of the BATTERY CABINET is the same as the voltage permitted by the UPS. Several BATTERY CABINETS can be connected in series to achieve a longer extended runtime.



- ① Internal battery fuse holder isolator
- ② Battery expansion connector

ADDITIONAL INTERNAL BATTERY CHARGERS (ONLY FOR “ER” VERSIONS)

THE “ER” VERSION OF UPS DIFFERS FROM THE STANDARD VERSION IN THAT ADDITIONAL BATTERY CHARGERS ARE USED INSTEAD OF THE BATTERIES.

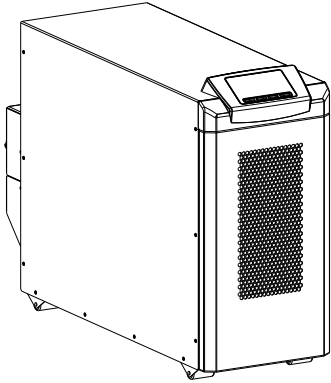
This series of UPS must be used together with an external Battery Cabinet and is suitable for applications requiring long back-up times.

INSTALLATION

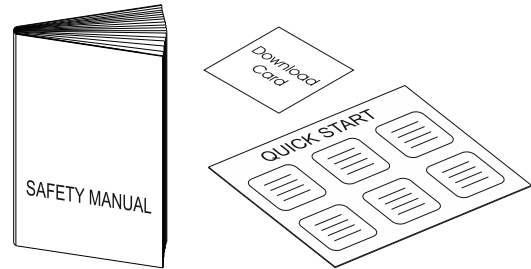
INITIAL CONTENT CHECK

After opening the packaging, it is first necessary to check the contents.
The package must contain:

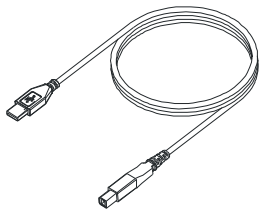
UPS (or Battery Cabinet)



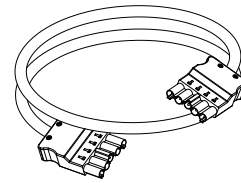
Safety manual + Quick start guide + Download card



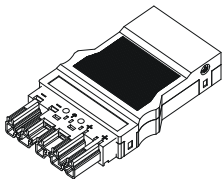
USB cable
(only for UPS)



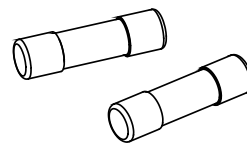
Connection cable UPS - Battery Cabinet
(only for Battery Cabinet)



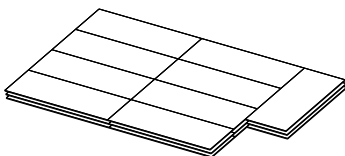
Battery expansion plug
(ER version only)



Fuses



Warning labels against backfeed



REMOVAL OF THE UPS (OR BATTERY CABINET) FROM THE PALLET

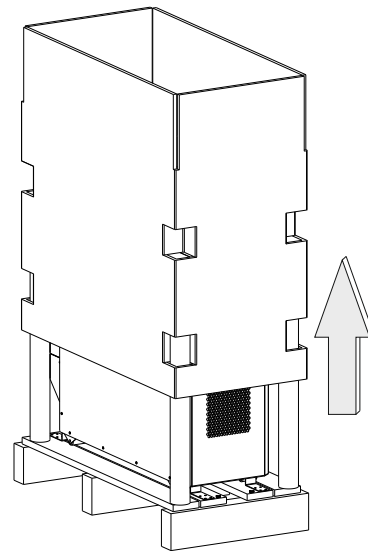
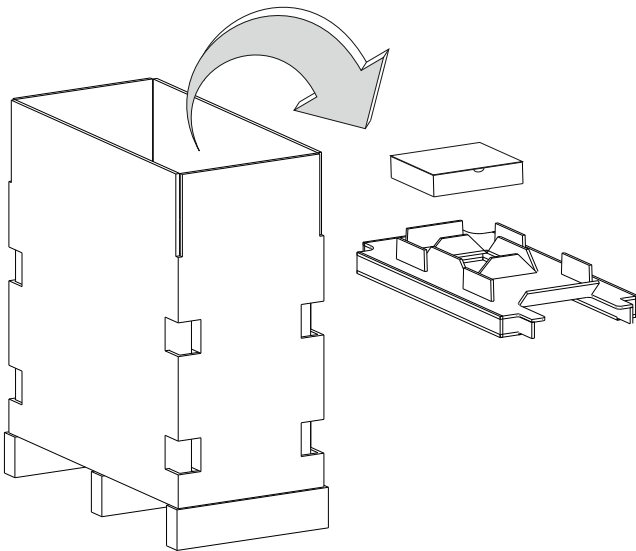
This chapter describes the operations to prepare the UPS (or Battery Cabinet) for installation.



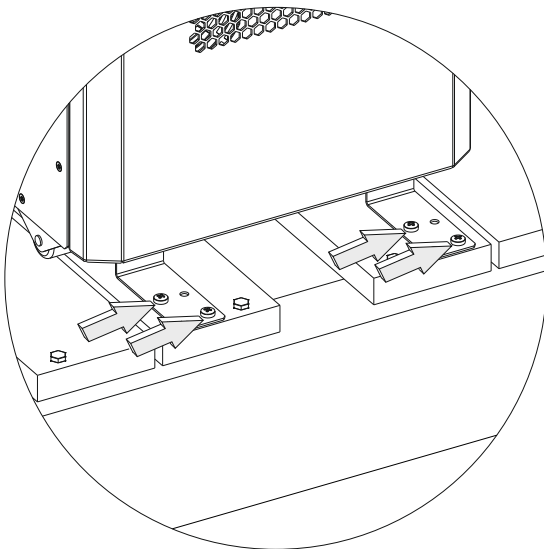
ATTENTION:

For your safety and that of the product, you must carefully follow the instructions given here below.

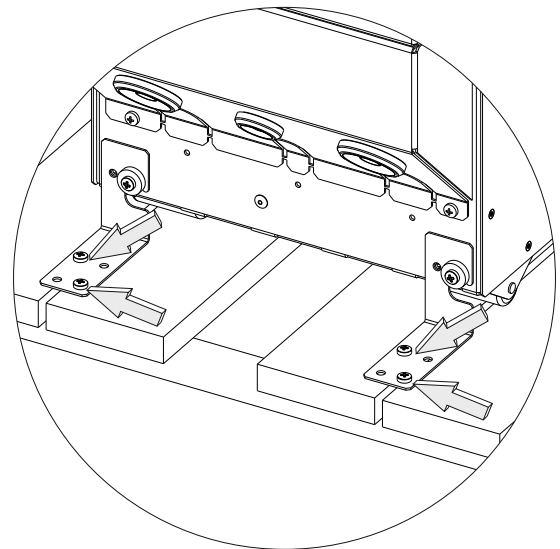
BEFORE YOU CARRY OUT THE FOLLOWING SEQUENCE OF OPERATIONS, MAKE SURE THAT THE UPS IS COMPLETELY SWITCHED OFF AND NOT CONNECTED TO THE MAINS POWER SUPPLY OR TO ANY LOAD.



1. Cut the straps and open the cardboard box.
2. Remove the packaging and the accessory box located above the UPS.
3. Remove the cardboard box by sliding it upwards and remove the corner supports.
4. Remove the protective sack.
5. Remove the 4 fixing brackets of the UPS (or Battery Cabinet) on the pallet; each bracket is fixed to the pallet with 2 screws.

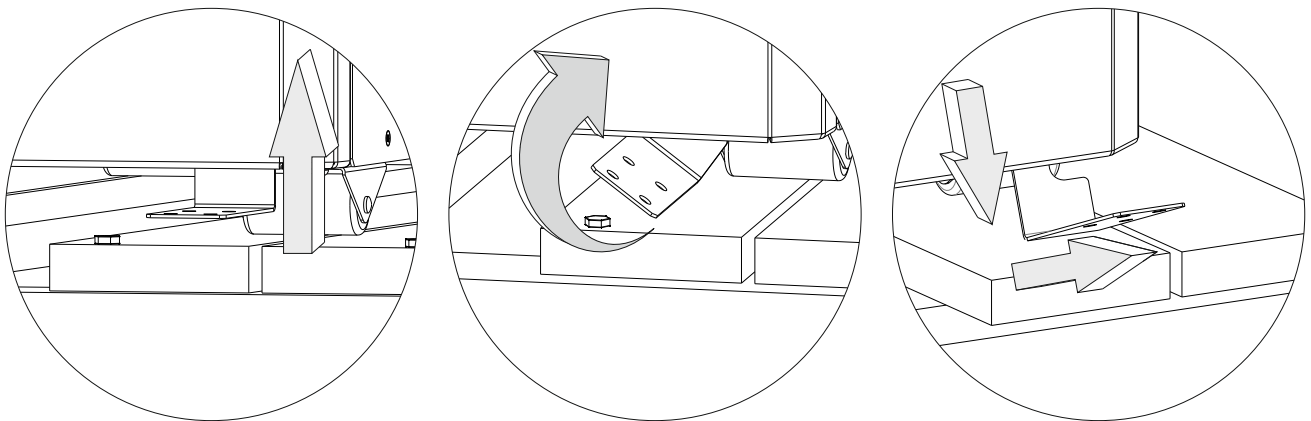


FRONT VIEW

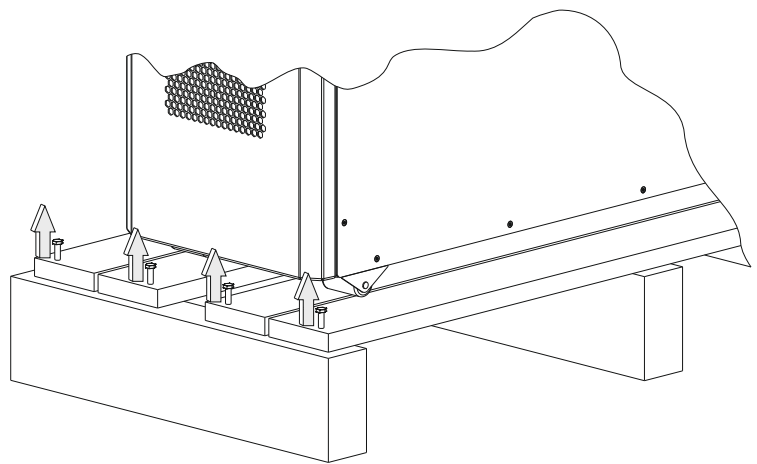


REAR VIEW

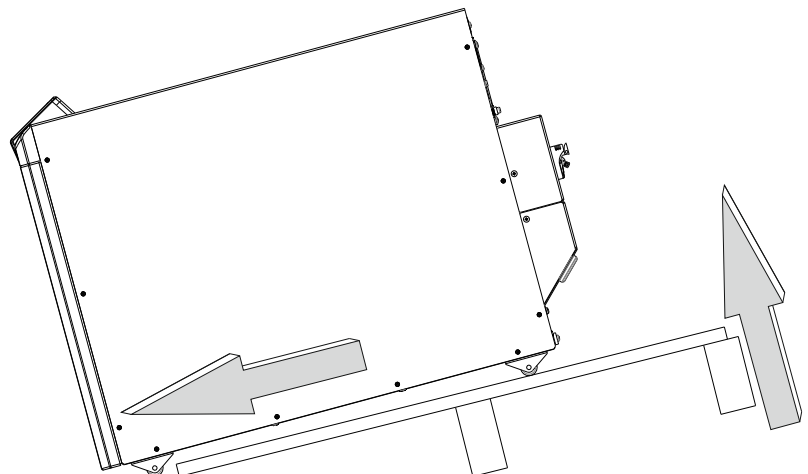
6. Move the brackets upwards and rotate for releasing them from the retaining bushing.
Follow the instructions below to remove the fixing brackets without releasing the UPS front panel (*).



7. Remove the 4 fixing screws of the frontal wooden beam of the pallet.



8. Remove the wooden beam, pay attention to holding stable the UPS above the pallet during this operation.
9. Guide the UPS towards the front of the pallet; use the pallet as a chute.
10. Carefully, bring the UPS down from the pallet towards the floor.



(*) If it will be difficult to remove the brackets, unhook the UPS front panel pulling it from the edges; the front panel is hooked with a system of pins and springs, tools are not needed.

INSTALLATION ENVIRONMENT

The UPS and the Battery Cabinet must be installed in ventilated, clean environments which are sheltered from bad weather. The relative humidity in the environment must not exceed the maximum values shown in the Technical Data table. The ambient temperature, whilst the UPS is in operation, must remain between 0 and 40°C, and the UPS must not be positioned in places which are exposed to direct sunlight or to hot air.



The recommended operating temperature for the UPS and the batteries is between 20 and 25°C. The actual operating life of the batteries is 5 years on average with an operating temperature of 20°C. If the operating temperature reaches 30°C, the operating life is halved.



This is a category C2 UPS product. In a residential environment, this product may cause radio interference, in which case the user may be required to take additional measures.



For three-phase installation, this equipment complies with IEC 61000-3-12 provided that the short-circuit power S_{sc} is greater than or equal to 2.94MW (7.4kA) at the interface point between the user's supply and the public system. It is responsibility of the installer or the user to ensure that the equipment is connected to a supply with the adequate short-circuit power S_{sc} (if required, consult the distribution network operator). If the supply doesn't meet the above requirements or if the requirements listed above are difficult to obtain, a single-phase installation is suggested.

UPS PLACEMENT (OR BATTERY CABINET)

When installing the equipment, the following points should be considered:

- the wheels are to be used exclusively for fine positioning, and thus for small distances only.
- the plastic parts and the front panel are not to be used for gripping or pushing the UPS.
- enough space should be left in front of the equipment for it to be turned on/off and maintenance operations to be performed on it (1.5 m)
- the rear part of the UPS should be set at least 30 cm from the wall, to enable the air blown by the ventilation fans to flow away correctly
- no objects should be left on its top surface

POWER CONNECTION



ALL OPERATIONS DESCRIBED IN THIS SECTION MUST BE PERFORMED BY QUALIFIED PERSONNEL ONLY. Our Company assumes no liability for damages caused by incorrect connections or operations not contained in this manual.



The UPS has HAZARDOUS electrical voltages inside it, even when the input and/or battery switches are off. The inside of the UPS is protected by safety panels which should not be removed by untrained personnel. All installation and maintenance or operations involving access inside the UPS require the use of tools and may ONLY be performed by trained personnel.

To carry out the following operations, the UPS must be disconnected from the mains power supply, switched off, and with all the equipment switches and fuse holders open.

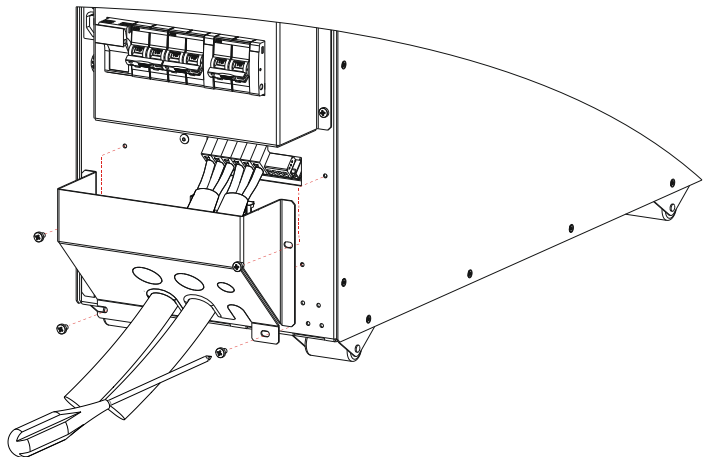
INSTRUCTIONS FOR 5 – 6 KVA MODELS

Follow the instruction below to access the terminals of the UPS and made the electrical connections:

1. Remove the terminals cover in the back of the UPS, placed below the disconnecter switches (see "UPS VIEWS")
2. Using a nipper or a small hammer, remove the pre-cut slots (placed in the bottom part of the terminals cover) and apply on them the protections plastic edges (supplied as standard).
3. We recommend using double-insulated multi-core cables to be connected, respectively, to the "INPUT", "OUTPUT" and "BYPASS" terminals (if present).
4. For the cross section and the cable stripping, refer to the paragraph "CONNECTION CABLES CROSS SECTION DETAILS
5. The wires should be stripped and inserted into the terminals (for the length of the stripping, refer to the paragraph "CONNECTION CABLES CROSS SECTION DETAILS").

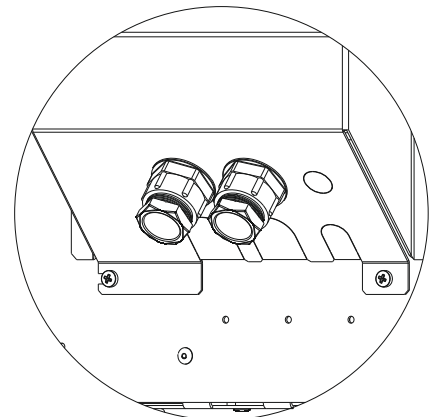
NOTE: To remove the wire, insert a flat blade screwdriver into the clamp slot above the wire inlet.

6. Fix the cables to the ties block in the back of the UPS.
7. When the installation is complete, close the terminals cover and secure with the screws



Option with cable glands (not supplied):

Cable glands (not supplied) can be used to secure the cables. The cable glands will be mounted in place of the pre-cut holes in the terminal cover panel. For the removal of the pre-cut disks it will be necessary to use a tool such as nippers or a small hammer.



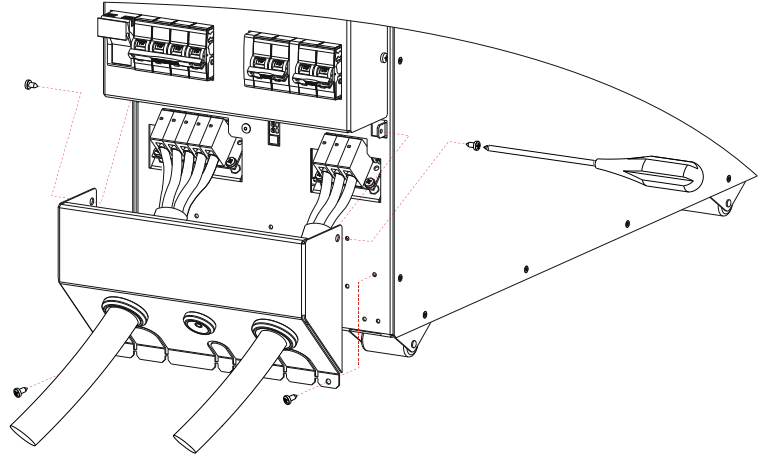
INSTRUCTIONS FOR 8– 10 KVA MODELS

Follow the instruction below to access the terminals of the UPS and made the electrical connections:

1. Remove the terminals cover in the back of the UPS, placed below the disconnecter switches (see "UPS VIEWS")
2. Pierce the rubber grommets to allow the wires passing.
3. We recommend using double-insulated multi-core cables to be connected, respectively, to the "INPUT", "OUTPUT" and "BYPASS" terminals (if present).
4. For the cross section and the cable stripping, refer to the paragraph "CONNECTION CABLES CROSS SECTION DETAILS".
5. The wires should be stripped and inserted into the terminals (for the length of the stripping, refer to the paragraph "CONNECTION CABLES CROSS SECTION DETAILS").

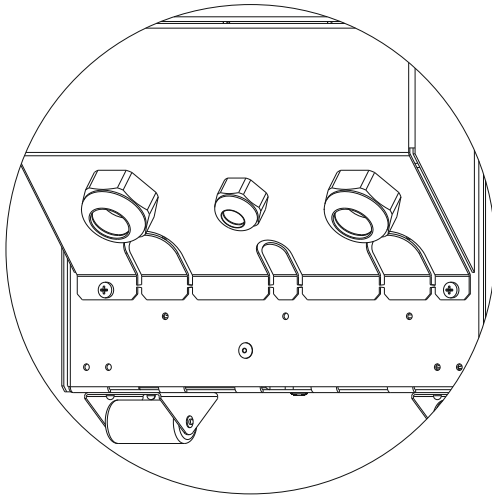
NOTE: To remove the wire, insert a flat blade screwdriver into the clamp slot above the wire inlet.

6. Fix the cables to the ties block in the back of the UPS.
7. When the installation is complete, close the terminals cover and secure with the screws

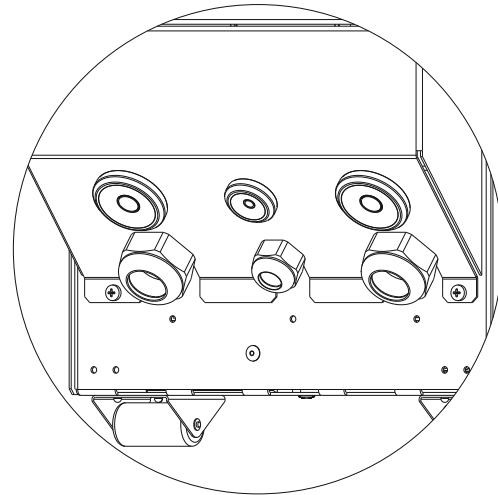


Option with cable glands (not supplied):

Cable glands (not supplied) can be used to secure the cables. The cable glands will be mounted in place of the rubber grommets in the terminal cover panel (see picture *Option 1*). Alternatively, remove the pre-cut flanges and mount the cable glands in the slots (see picture *Option 2*).



Option 1



Option 2

INTERNAL PROTECTIVE DEVICES OF THE UPS

Located within the UPS are fuses (not accessible) in order to protect the rectifier input stage, the output stage of the inverter and the batteries. The table below shows the values of the internal protection fuses.

NOTE: the UPS internal bypass line is not protected by fuses. We recommend installing an external protection device as defined in the chapter "EXTERNAL PROTECTION DEVICES".

| Internal protective devices | | | |
|-----------------------------|--|---------------|---------------------|
| UPS Mod. | Input fuses | Battery fuses | Output fuses |
| 5 kVA | 2 x 25A GF (6.3x32) | 80A aR | 2 x 25A GF (6.3x32) |
| 6 kVA | 2 x 25A GF (6.3x32) | 80A aR | 2 x 25A GF (6.3x32) |
| 8 kVA | 80A aR [L1] 25A GF (6.3x32) [L2/L3] | 80A aR | 63A aR |
| 10 kVA | 80A aR [L1] 25A GF (6.3x32) [L2/L3] | 80A aR | 63A aR |

SHORT CIRCUIT

If a fault occurs on the load, the UPS protects itself by limiting the value and the duration of the current supplied (short circuit current). These values also depend on the UPS operating status at the time of the fault, these can either be (in the "TECHNICAL DATA" table the protection characteristics and timings are described):

- UPS in NORMAL OPERATION: the load is switched instantaneously to the bypass line: the input line is connected to the output without any internal protection.
- UPS in BATTERY OPERATION: the UPS protects itself by providing a higher current than the nominal one (see paragraph "TECHNICAL DATA") and turns itself off after this time has elapsed.

BACKFEED

The UPS has internal protection against backfeed, however the label supplied with the UPS must be affixed to all disconnectors installed within the electrical system upstream of the UPS.

EXTERNAL PROTECTIVE DEVICES

LINE PROTECTION: MAGNETOTHERMAL OR FUSE

Within the UPS there are protection devices for output and internal faults.

You must protect the input line (and the separate bypass line if present) with the appropriate protection devices. These devices must comply with the regulations of the country where the UPS is installed.

In order to set up the power line, install a magnetothermal switch upstream from the UPS with intervention curve C or D (breaking capacity $\geq 6\text{kA}$) or gR type fuse. Please follow the indications in the table below:

| Automatic external protective devices | | |
|---------------------------------------|--------------------------|--------------------------|
| UPS Mod. | Mains input | |
| | Single-phase input (P+N) | Three-phase input (3P+N) |
| 5 kVA | 40A | / |
| 6 kVA | 40A | / |
| 8 kVA | 63A | 63A |
| 10 kVA | 63A | 63A |

SAFETY DEVICES: DIFFERENTIAL



The UPS can cause a D.C. current in the PE conductor.

An RCD located upstream is suggested: its trip current should be the sum of UPS + Load leakage current, with a suitable margin to prevent unwanted interventions.

Only a RCD Type B is allowed.

CONNECTION CABLES CROSS SECTION DETAILS

To determine the minimum cross section of the input and output cables, see the table below:

| Cross section of cables (sqmm) * | | | | | | | | |
|----------------------------------|-------------|------------|--------------|----|-------------|------------|---|---|
| UPS Mod. | INPUT | | | | | OUTPUT | | |
| | PE | N | L1 | L2 | L3 | PE | N | L |
| 5 kVA | 10 | 6 (10 max) | | / | | 6 (10 max) | | |
| 6 kVA | 10 | 6 (10 max) | | / | | 6 (10 max) | | |
| 8 kVA | 10 (16 max) | | 2.5 (16 max) | | 10 (16 max) | | | |
| 10 kVA | 10 (16 max) | | 2.5 (16 max) | | 10 (16 max) | | | |

* The cross sections indicated in the table refer to a maximum length of 10 meters.

The cross sections refer to bare cables (without terminals) or cables with uninsulated end sleeves.

The L2 and L3 inputs are only available only for 8-10 kVA models.

The cable cross-sections for the L2 and L3 lines can be reduced to 2.5 sqmm.

Note: the length of the cable stripping must be equal to:

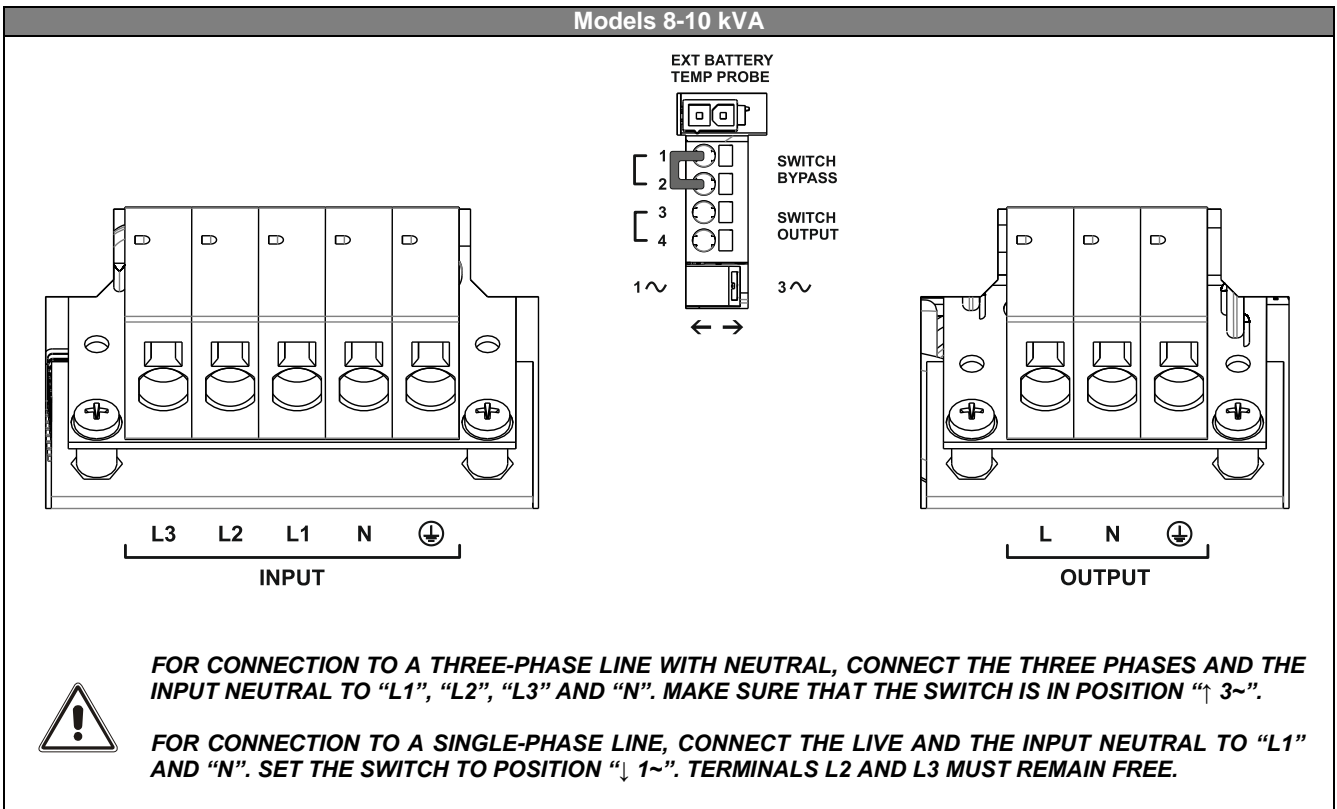
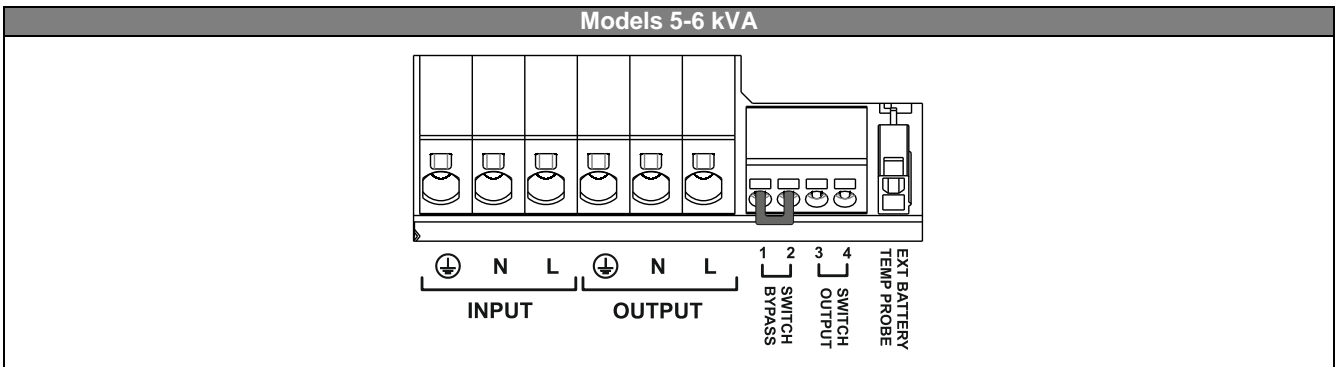
- 15 mm for UPS 5-6 kVA
- 18 mm for UPS 8-10 kVA

CONNECTIONS



The first wire to be connected is the protective earth wire, which is to be inserted in the terminal marked PE. During operation the UPS must be connected to the earthing system

Connect the input and output cables to the terminal board as shown in the figure below:



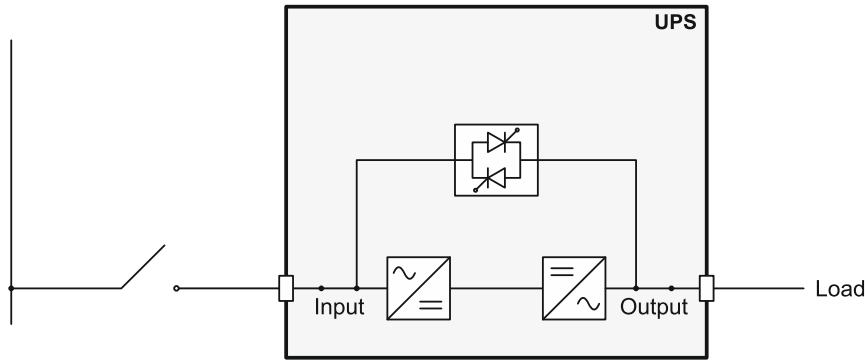
NOTE

1. If an "external manual bypass" is not provided, make sure that there is a jumper between terminals 1 - 2 (Switch bypass).
2. The maximum cross section of the cables that may be inserted in the terminal board 1, 2, 3 & 4 are:
 - 2.5 sqmm for bare cables
 - 1.5 sqmm for cables with lugs.

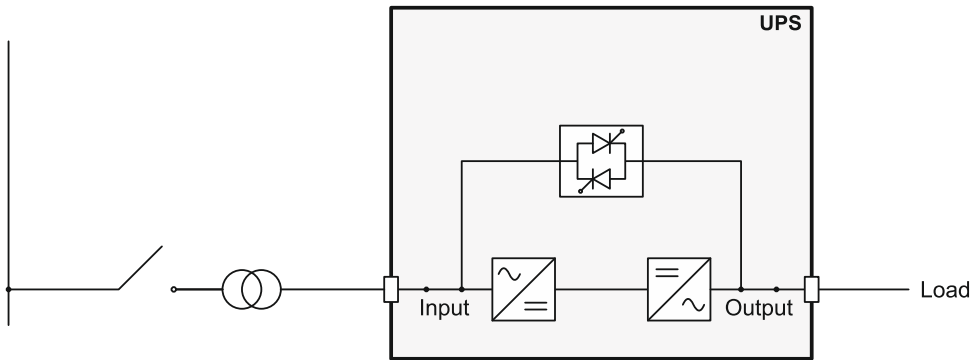
The stripping length is 8 mm

WIRING DIAGRAMS FOR CONNECTING TO THE ELECTRICAL SYSTEM

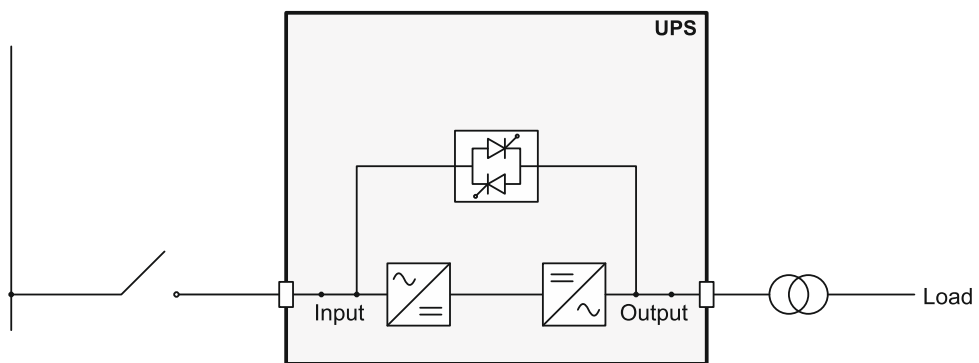
UPS without any variation in neutral condition



UPS with galvanic isolation at input



UPS with galvanic isolation at output



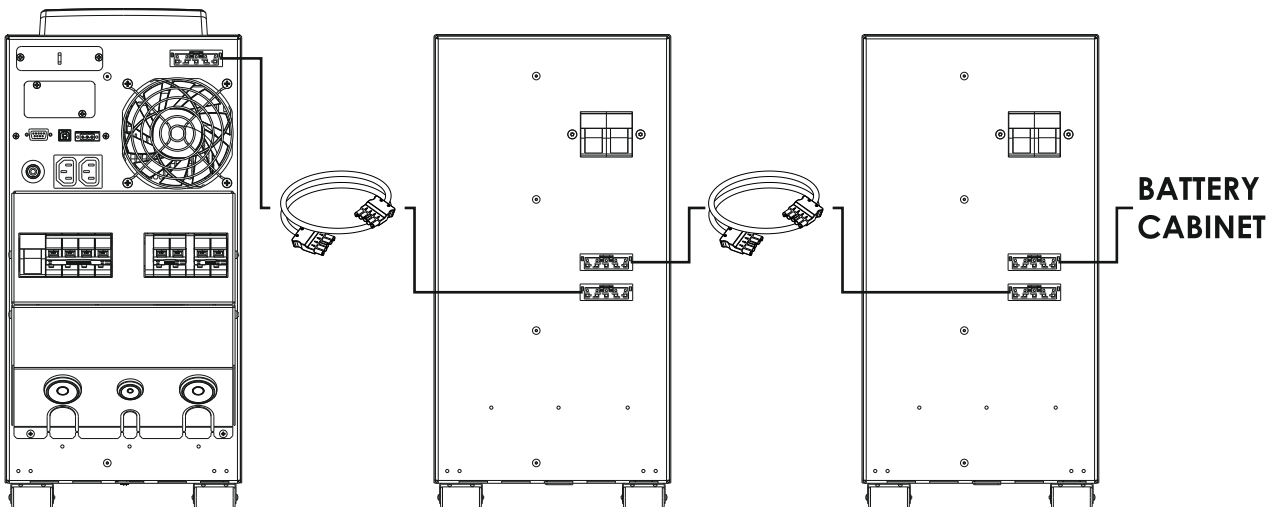
BATTERY CABINET INSTALLATION



ATTENTION:

REFER TO THE UPS SPECIFICATION LABEL TO CONFIRM THAT THE VOLTAGE FROM THE BATTERY CABINET IS THE SAME AS THAT ALLOWED BY THE UPS. CONFIRM THAT THE BATTERY CABINET IS EQUIPPED WITH A 50A gR FUSE TO PROTECT THE BATTERY EXPANSION PORT OF THE UPS. THE CONNECTION BETWEEN THE UPS AND THE BATTERY CABINET MUST BE MADE WITH THE BATTERY CABINET FUSE HOLDER ISOLATOR OPEN. CONNECT THE CABLE BETWEEN THE UPS AND THE BATTERY CABINET. CLOSE THE FUSE HOLDER ISOLATORS ONLY IF THE UPS IS POWERED ON OR IN STAND-BY CONDITION.

Battery Cabinets can be installed in series for extended runtimes. Connect the Battery Cabinets in series as shown in the figure below:



UPS – BATTERY CABINET CONNECTION



ATTENTION:

The UPS is not equipped with devices for the disconnection of the external batteries. Verify that the Battery Cabinets are fitted with a suitable fuse and/or fuse disconnecter.

To prevent damage occurring to the batteries, the fuse holders must only be closed if the battery voltages between the UPS and the Battery Cabinet are similar. Otherwise, recharge each battery unit following the procedure below:

UPS battery recharge:

With the fuse holders of the connected Battery Cabinet open (or its fuse disconnecter), only close the UPS fuse holder. In these conditions, power the UPS and wait for the battery to recharge.

External Battery Cabinet recharge:

Open the fuse holder of the UPS and close the fuse holders of the external Battery Cabinet (or its fuse disconnecter). In these conditions, power the UPS and wait for the battery to recharge.

CONFIGURING THE RATED BATTERY CAPACITY

Before installing one or more Battery Cabinets, the UPS must be configured in order to update the rated capacity value (total Ah UPS's internal batteries + external batteries) using the dedicated configuration software.

The Battery Cabinet must only be installed while the UPS is switched off and disconnected from the mains power supply.



CAUTION:


The connection cables cannot be extended by the user.

The maximum length of the connecting cables between the UPS (without internal batteries) and the Battery Cabinet is 3 meters.

After connecting the UPS to its Battery Cabinets, insert the fuses and close the Battery Cabinet battery fuse holders (SWBATT).

It is recommended that you do not connect more than 5 Battery Cabinets in cascade to a single UPS. To increase capacity, we recommend installing a Battery Cabinet with higher battery capacity.


SWITCHING ON FOR THE FIRST TIME

- 1) Power on the UPS.
- 2) Insert the fuse in the battery fuse holder isolator (SWBATT), in the back of the UPS.
- 3) Close the mains input switch (SWIN) in the back of the UPS. Close the fuse holder isolator.
- 4) After a few moments, the UPS will switch on, the display will light up, there will be a beep and the  icon will start to flash. The UPS is in stand-by mode: meaning that it is only consuming a small amount of power. The microcontroller supervising the self-diagnoses is powered; the batteries are charging; and everything is ready for UPS activation. Battery operation is also in stand-by mode provided that the timer is active.
- 5) Connect the equipment to the output of the UPS using cables no longer than 10 metres.
WARNING: Do not connect the EnergyShare sockets to devices that absorb more than 10A. For equipment that exceeds these levels, use the appropriate terminals only.
- 6) Check which operating mode is set on the display and, if necessary, see the “*CONFIGURING OPERATING MODES*” paragraph to set the required mode. For advanced configurations, set up the UPS with the appropriate configuration software.

SWITCHING ON FROM THE MAINS

- 1) Press the “ON” button for 1 second. After pressing it, all the icons on the display light up for 1 second and the UPS beeps.
- 2) Close the output switch (SWOUT) in the back of the UPS.
- 3) Switch on the equipment connected to the UPS.


When switching on for the first time only: after 30 seconds, check that the UPS is operating correctly:

- 1) Simulate a blackout by disconnecting power to the UPS.
- 2) The load must continue to be powered, the  icon on the display must light up and there must be a beep every 4 seconds.
- 3) When power is reconnected, the UPS must go back to operating from the mains.

SWITCHING ON FROM THE BATTERY

- 1) Hold down the “ON” button for at least 5 seconds. All the icons on the display light up for 1 second.
- 2) Switch on the equipment connected to the UPS.

SWITCHING OFF THE UPS

In order to switch off the UPS, hold down the “STBY” button for at least 2 seconds. The UPS goes back to stand-by mode and the  icon starts to flash:

- 1) If the mains power is present, open the mains switch disconnecter (SWIN) to completely turn off the UPS.
- 2) During battery mode operation with the timer not set, the UPS automatically switches off after 30 seconds. However, if the timer is set, press and hold down the “STBY” key for at least 5 seconds to turn off the UPS. For complete shutdown, open the mains switch disconnecter (SWIN).











INTERNAL CLOCK SETTING

During the first installation, you must set the internal UPS clock through the configuration software. If the UPS remains off or deactivated for more than 3 days, it will be necessary to re-configure the clock to avoid a failure of any programmed power-on or shut-down configuration.

DISPLAY PANEL MESSAGES

This chapter describes, in detail, the various information that can be displayed on the LCD.

UPS STATUS MESSAGES

| ICON | STATUS | DESCRIPTION |
|---|------------|--|
|  | Fixed | Indicates a fault |
| | Flashing | The UPS is in stand-by mode |
|  | Fixed | Indicates regular operation |
|  | Fixed | The UPS is operating from the mains |
| | Flashing | The UPS is operating from the mains, but the output voltage is not synchronised with the mains voltage |
|  | Fixed | The UPS is operating from the battery. In this condition, the UPS emits an acoustic signal (beep) at regular 4-second intervals. |
| | Flashing | Low battery pre-alarm. Indicates that battery autonomy is coming to an end. In this condition, the UPS emits a beep at regular 1-second intervals. |
|  | Fixed | Indicates that the loads connected to the UPS are powered by the bypass |
|  | Dynamic | Indicates the estimated percentage charge of the batteries |
|  | Dynamic | Indicates the percentage of load applied to the UPS compared with the nominal value. |
| | Flashing | Indicates output overload condition. |
|  | Flashing | Maintenance is required. Contact the support centre. |
|  | Fixed | Indicates that the timer is active (programmed switch-on and switch-off). The timer can be activated/deactivated using the configuration software. |
| | Flashing | 1 minute until the UPS switches back on or 3 minutes until it switches off |
|  | Off * | The EnergyShare sockets are not configured (always connected). |
| | Fixed* | The EnergyShare sockets was configured via configuration software. At this time the sockets are connected. |
| | Flashing * | The associated event occurred; the EnergyShare outlets have been disconnected. |

* For more information about the configuration of the EnergyShare sockets, see "ADDITIONAL FUNCTIONS".

MEASUREMENT DISPLAY AREA

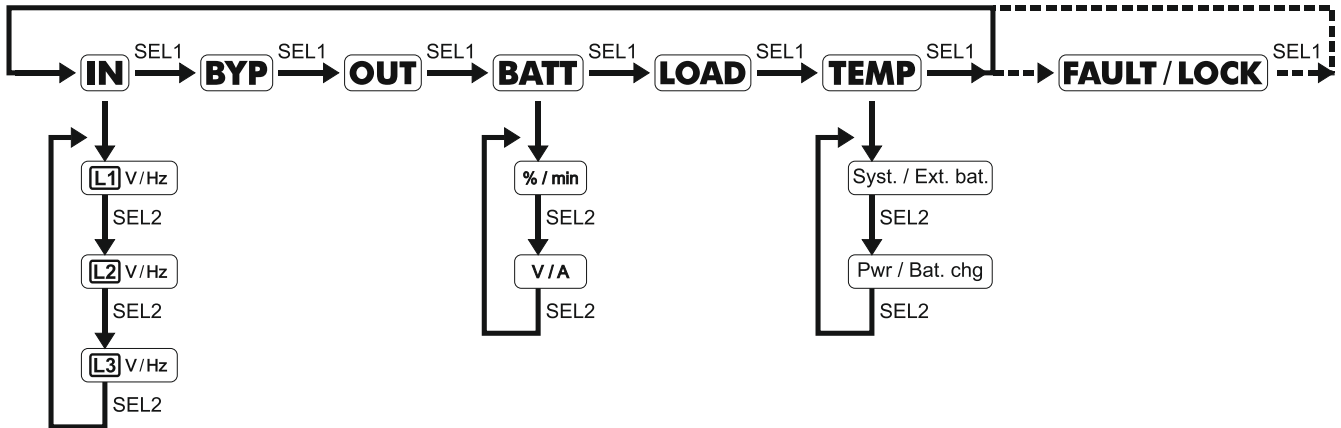
The front panel can be used to display important UPS operating information.

When the UPS is switched-on, the display shows the main voltage value.

To display a different measurement, press the “SEL1” button repeatedly until the desired measurement appears.

Some measurements have more pages, press the “SEL2” to display them.

The functional diagram of the button “SEL1” and “SEL2” is shown below:



NOTE:

- the measurement views of the mains (IN), is available in more pages only for UPS with three-phases input.
- the views of FAULT / LOCK are not displayed in absence of anomalies, alarm or lock.
- In the event of a fault/alarm (FAULT) or a lock (LOCK), the display will automatically show the type and code of the corresponding alarm.

| MEASUREMENT | DESCRIPTION |
|----------------------|---|
| IN | Display input mains data, such as voltage and frequency. |
| BYP | Display bypass line data, such as voltage, current and frequency. |
| OUT | Display the UPS output data, such as voltage, current and frequency. |
| BATT | Display batteries data, such as recharge percentage, autonomy estimation, voltage and current. Display the recharging current with the mains present, otherwise the discharging current if the UPS is on battery. |
| LOAD | Display the UPS load data, such as load percentage, apparent power (kVA) and active power (kW). |
| TEMP | Display the temperature of: system (inside the UPS), Battery Cabinet (with optional probe), power module and battery charger. |
| FAULT ⁽¹⁾ | Display the code of the anomaly or alarm active |
| LOCK ⁽¹⁾ | Display the code of the lock active |

⁽¹⁾ The FAULT / LOCK codes can only be displayed if they are active (presence of a fault/alarm or a lock).

OPERATING MODE CONFIGURATION

The area of the display shown in the figure displays the active operating mode and allows the user to choose other modes directly from the display panel.



HOW TO PROCEED:

- To access the configuration area, hold down the “SEL1” button for at least 3 seconds.
- To change the mode, press the “ON” button.
- The icon corresponding to the mode currently set lights up.
- To confirm the mode chosen, hold down the “SEL1” button for at least 3 seconds.

POSSIBLE SETTINGS

The UPS is designed to be configured in various operating modes:

- **ON-LINE** is the mode with the greatest load protection and the best quality of the output waveform (*)
- **ECO** is the mode with which the UPS consumes the least amount of power, and is therefore the most efficient (**)
- **SMART ACTIVE:** in this mode, the UPS decides whether to operate in ON-LINE or ECO mode according to a statistic about the quality of the mains power.
- **STAND-BY OFF [Mode 1]:** the UPS operates as an emergency power supply. If mains power is present, the load is not powered, however should the mains supply fail, the load is powered by the UPS.

Additional operating modes can be set through the configuration software.

- (*) The effective value (rms) of the output frequency and voltage is constantly controlled by the microprocessor, independently from the waveform of the mains voltage, maintaining the output frequency synchronised to the mains within a configurable range.
Outside this range, the UPS output de-synchronises from the mains supply, moving to the nominal frequency; in this condition, the UPS cannot use the bypass.
- (**) In order to optimise performance, in ECO mode, the load is normally powered by the bypass. If the mains goes out of the permitted tolerance range, the UPS switches to ON LINE operation. If the mains returns within the permitted tolerance range for at least five minutes, the UPS goes back to powering the load from the bypass.

ADDITIONAL FUNCTIONS

MANUAL BYPASS

Using the Manual Bypass feature, the UPS can be switched to bypass. In this condition the load is powered directly by the input mains, any disruption in the mains directly affects the load.



CAUTION:
BEFORE CARRYING OUT THE FOLLOWING SEQUENCE OF OPERATIONS, ENSURE THAT THE UPS'S INPUT AND OUTPUT FREQUENCY COINCIDE AND THAT THE UPS IS NOT OPERATING FROM THE BATTERY

Attention: even when the UPS is switched on, the load is disconnected in the event of a mains blackout.

If the input mains deviates from the established tolerances, the UPS automatically switches to Stdby mode and disconnects the load.

To force the UPS into manual bypass mode, press and hold down the ON and SEL keys simultaneously for at least 4 seconds. The code "C05" appears on the display.

To return to the normal operation mode press the ON and SEL keys again for at least 4 sec.

PROGRAMMABLE AUXILIARY SOCKETS (EnergyShare)

The EnergyShare sockets are outlets that allow for the automatic disconnection of the load applied to them in certain operating conditions. The events that determine automatic disconnection of the EnergyShare sockets can be selected by the user through the configuration software. For example, it is possible to select disconnection after a certain period of battery operation; or when the pre-alarm threshold for battery discharge has been reached, or when an overloading event occurs.

By default the Energyshare sockets are not configured and therefore function as other outlets.

The EnergyShare function is associated with an icon on the display whose meaning is explained in the paragraph entitled "DISPLAY PANEL MESSAGES".

The presence and the number of these sockets will depend upon the UPS type, these sockets are easily recognised by the EnergyShare label located beside them.

REMOTE COMMANDS TERMINAL BOARD and R.E.P.O.

The remote commands terminal allows for implementation of the REPO function (Remote Emergency Power Off) and to remotely switch ON and switch OFF the UPS.

The UPS is provided by the manufacturer with the REPO terminals short-circuited. For installation remove the short circuit and connect to the device's normally closed contact.

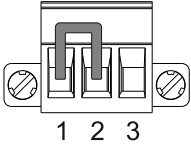
In case of an emergency, if the stop device is used, the REPO control is opened and the UPS goes into stand-by mode and the load is completely disconnected.

Attention: before restarting the UPS, reset the stop device.

The circuitry of the remote command terminal board is self-powered with SELV circuits. Therefore, an external voltage supply is not required. When a contact is closed, a maximum current of 15mA circulates.

All connections with the remote command terminal board are made through a cable which guarantees a double insulation connection.

Logic of the connections:

| | | |
|---|-----------|---|
|  | R.E.P.O. | This feature is activated by opening the contact between pin's 1 and 2. |
| | REMOTE ON | This feature is activated by closing the contact between pin's 2 and 3 for a few seconds. |

AUTORESTART

The Autorestart allows the automatic switch on of the UPS when power is restored, if during battery operation the UPS switches off due to end of autonomy, remote shutdown command or Auto power off enabled.



CAUTION:
THE AUTORESTART FUNCTION IS ENABLED BY DEFAULT.

REDUNDANT AUXILIARY POWER ADAPTER FOR AUTOMATIC BYPASS

The UPS is equipped with a redundant auxiliary power adapter which permits operation on the automatic bypass even in the event of main auxiliary power faults. If a fault occurs in the UPS shutting off the main auxiliary power supply, the load is powered by the automatic bypass automatic bypass without any internal protection and without any limitation of the power delivered to the load. In this emergency condition, any perturbations present on the input line affect the load. The multiprocessor board and control panel are not powered in this mode; therefore, the displays is off.

EXTERNAL TEMPERATURE PROBE

This **NON-ISOLATED** input can be used to measure the temperature inside a remote Battery Cabinet.



It is essential that only the kit provided by the manufacturer is used. Any uses not conforming to the specifications may cause faults or breakdowns of the equipment.

To install, connect the cable included in the special kit to the "EXT BATTERY TEMP PROBE". After installation, enable the outdoor temperature measuring function using the configuration software.

SOFTWARE

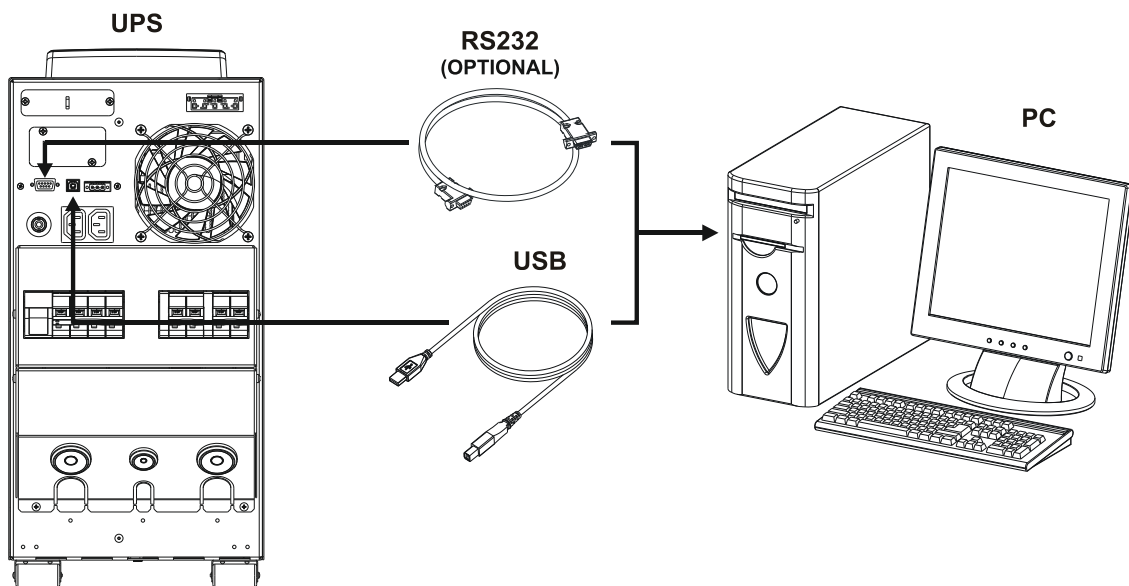


CAUTION:

If the RS232 communication port is used, it is not possible to communicate with the USB port and vice versa. It is advisable to use a cable which is shorter than 3 metres for communication with the UPS. To obtain additional communication ports with different functions, independent from the standard USB and RS232 ports on the UPS, various accessories are available which can be inserted into the communication card slot.



To check the availability of new, more updated software versions or for more information about the accessories available, consult the website www.riello-ups.com.



MONITORING AND CONTROL SOFTWARE

The **PowerShield³** software guarantees effective, intuitive UPS management, displaying all the most important information such as input voltage, applied load and battery capacity. It is also able to perform shutdown operations, send e-mails and network messages automatically when certain events (selected by the user) occur.

INSTALLATION OPERATIONS

- 1) Connect one of the UPS's communication ports to one of the PC's communication ports using the cable supplied.
- 2) Download the software from the web site www.riello-ups.com selecting the specific operating system.
- 3) Follow the installation program instructions.
- 4) For more detailed information please read the user manual which can be downloaded from www.riello-ups.com.

CONFIGURATION SOFTWARE

Configuration and customization software allows the configuration and complete visualization of UPS status via USB or RS232 port. For a list of possible configurations available to the user, refer to the "UPS CONFIGURATION" paragraph.

INSTALLATION OPERATIONS

- 1) Connect one of the UPS's communication ports to one of the PC's communication ports using the cable supplied.
- 2) Follow the installation program instructions. For more detailed information about installation and use, refer to the software manual which can be downloaded from our website www.riello-ups.com.

UPS CONFIGURATION

The table below illustrates all the possible configurations available to the user in order to best adapt the UPS for individual requirements. It is possible to perform these operations using the configuration software.

| FUNCTION | DESCRIPTION | DEFAULT |
|-------------------------------------|--|----------------------------|
| Operating mode | Selects the operating modes | ON LINE |
| Output voltage | Selects the rated output voltage (Phase - Neutral) | 230 V |
| Output nominal frequency * | Selects the rated output frequency | 50 Hz |
| Autorestart | Waiting time for automatic power-on after the return of mains voltage | 5 s |
| Auto power off | Automatic UPS power-off in battery operation mode if the load is lower than 5% | Disabled |
| Buzzer Reduced | Selects the audible alarm operating mode | Reduced |
| EnergyShare off | Selects the operating mode of EnergyShare sockets | Always connected |
| Timer | Programmed UPS power ON/OFF (daily) | Disabled |
| Autonomy limitation | Maximum battery operation time | Disabled |
| Maximum load | Selects the user overload limit | Disabled |
| Bypass Synchronization speed | Selects the synchronisation speed of the inverter to the bypass line | 1 Hz/s |
| External temperature | Activates reading of the external temperature probe | Disabled |
| Separated bypass line | Activate the visualisation on the display of the separate bypass line (INOUT) | Disabled |
| Bypass mode * | Selects the mode of use of the bypass line | Enabled / High sensitivity |

| FUNCTION | DESCRIPTION | DEFAULT |
|-------------------------------------|--|---|
| Bypass active in stand-by | Load supply from bypass with UPS in stand-by | Disabled (load NOT supplied) |
| Bypass frequency tolerance | Selects the accepted range for the input frequency for switching to the bypass and for the synchronisation of the output | ± 5% |
| Bypass min.-max. threshold | Selects the accepted voltage range for switching to the bypass | Low: 180 V High: 264 V |
| Eco mode sensibility | Selects the intervention sensitivity during operation in ECO mode | Normal |
| Eco mode min.-max. threshold | Selects the accepted voltage range for operation in ECO mode | Low: 200 V High: 253 V |
| UPS without battery | Operating mode without batteries (for converters or voltage stabilizers) | Operating with Batteries |
| Battery low time | Estimated autonomy time remaining for “battery low” warning | 3 min. |
| Automatic battery test | Interval of time for the automatic battery test | 40 hours |
| Parallel common battery | Common Battery for parallel UPS systems | Disabled |
| Internal battery capacity | Nominal Battery capacity for internal batteries | Change according with UPS model |
| External battery capacity | Nominal Battery capacity for external batteries | 9 Ah for UPS without internal batteries; 0Ah all other cases |
| Battery recharging current | Recharging current compare to battery nominal capacity | 12% |

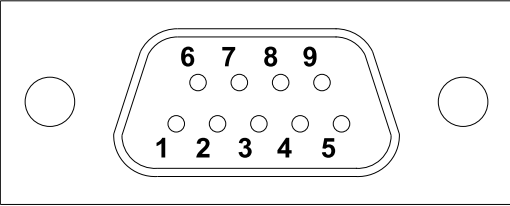
* On all UPS devices of the STW series, with the exception of the DI versions (10000 VA) and ER DI versions (10000 VA), for “Frequency converter” mode configurations or if the synchronisation with the bypass is disabled, the UPS will derate the output power.

COMMUNICATION PORTS

On the back of the UPS (see “UPS VIEWS”), the following communication ports are present:

- RS232 connector
- USB connector
- Expansion slot for additional communication cards

RS232 CONNECTOR

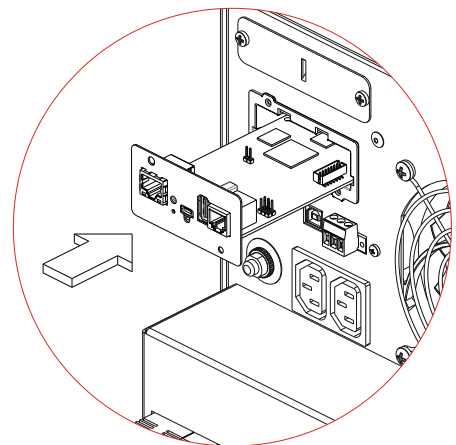
| RS232 CONNECTOR | | |
|--|--|---|
|  | | |
| PIN # | SIGNAL | NOTES |
| 1 | Programmable OUTPUT #3 *: [default: UPS in lock] | (*) Opto-isolated contact max. +30Vdc / 35mA. These contacts can be associated with other events using the configuration software For further information about interfacing with the UPS, refer to the dedicated manual |
| 2 | TXD | |
| 3 | RXD | |
| 5 | GND | |
| 6 | Power supply DC ($I_{max} = 20mA$) | |
| 8 | Programmable OUTPUT #1 *: [default: low battery pre-alarm] | |
| 9 | Programmable OUTPUT #2 *: [default: battery operation] | |

COMMUNICATION SLOT

The UPS is equipped with an expansion slot for optional communication cards (see figure on right) which allows the device to communicate using the main communication standards.

Some examples:

- Serial duplicator
- Ethernet network card with TCP/IP, HTTP, HTTPS and SNMP protocols
- JBUS / MODBUS protocol converter card
- PROFIBUS protocol converter card
- Card with relay isolated contacts



To check the availability of other accessories, visit the website www.riello-ups.com.

TROUBLESHOOTING

An irregular operation of the UPS is frequently not due to malfunctions, but to simple problems, inconveniences or distractions. Therefore, the user is advised to consult the table below providing useful information on how to solve the most common problems.



WARNING: the table below often refers to the use of the maintenance BYPASS (SWMB). If the device is installed, before restoring the correct operation of the UPS, make sure that it is switched on and **not in STAND-BY**.

NOTE: For the exact meaning of the codes mentioned in the table, please read the “STATUS / ALARM CODES” section.

| PROBLEM | POSSIBLE CAUSE | SOLUTION |
|--|--|---|
| THE UPS CONNECTED TO THE MAINS, DOES NOT SWITCH TO STAND BY MODE (THE DISPLAY DOES NOT LIGHT UP) | CONNECTION TO THE INPUT TERMINAL MISSING | Connect the mains to the terminals following the indications in the paragraph “POWER CONNECTION” |
| | NEUTRAL CONNECTION MISSING | The UPS cannot function without the neutral connection. WARNING: the absence of this connection can damage the UPS and/or the load. Connect the mains to the terminals as explained in the paragraph “POWER CONNECTION”. |
| | THE ISOLATOR (SWIN) IS OPEN | Close the isolator |
| | MAINS POWER MISSING (BLACKOUT) | Make sure the mains power is present. If necessary, perform battery start-up to power the load. |
| | INTERVENTION OF THE UPSTREAM PROTECTION DEVICE | Restore the protection. <u>Warning:</u> make sure there is no overload or short circuit on the UPS output. |
| NO POWER REACHES THE LOAD | CONNECTION TO THE OUTPUT TERMINAL MISSING | Connect the load to the terminals |
| | THE UPS IS IN STAND-BY MODE | Run the start-up sequence |
| | THE STAND-BY OFF MODE HAS BEEN SELECTED | The operating mode must be changed. In fact, the STAND-BY OFF (emergency) mode only powers the loads when a black out occurs. |
| | MALFUNCTION OF THE UPS AND AUTOMATIC BYPASS OUT OF USE | Insert the maintenance bypass (SWMB) and contact the nearest service centre |
| THE UPS OPERATES OFF THE BATTERIES EVEN THOUGH MAINS POWER IS PRESENT | INTERVENTION OF THE UPSTREAM PROTECTION DEVICE | Restore the protection. WARNING: make sure there is no overload or short circuit on the UPS output. |
| | THE INPUT VOLTAGE IS OUT OF THE ALLOWED OPERATING VALUES FOR MAINS POWER | Problem caused by the mains power. Wait for the input mains voltage to return within the tolerance limits. The UPS will return automatically to mains operation. |

| PROBLEM | POSSIBLE CAUSE | SOLUTION |
|--|---|---|
| THE DISPLAY SHOWS THE FOLLOWING CODE: C01 | THE JUMPER IS MISSING FROM THE R.E.P.O. CONNECTOR OR IT IS NOT INSERTED CORRECTLY | Assemble the jumper or make sure that it is inserted correctly. |
| THE DISPLAY SHOWS THE FOLLOWING CODE: C05 | MAINTENANCE BYPASS SWITCH (SWMB) CLOSED | Open the manual bypass switch (SWMB). |
| | THE JUMPER IS MISSING FROM THE TERMINALS "SWITCH BYPASS" | Insert the jumper |
| THE DISPLAY SHOWS ONE OR MORE OF THE FOLLOWING CODES: A30, A32 AND THE UPS DOES NOT START UP | AMBIENT TEMPERATURE < 0°C | Heat the environment, wait for the heat sink temperature to rise above 0°C and then start up the UPS |
| | FAULT IN HEAT SINK TEMPERATURE PROBE | Activate the maintenance bypass (SWMB) if present, turn the UPS off and back on again and exclude the maintenance bypass. If the problem persists, contact the nearest service centre |
| THE DISPLAY SHOWS ONE OR MORE OF THE FOLLOWING CODES: F09, F10 | THE VOLTAGE VALUE OF PHASE 1 IS NOT SUFFICIENT TO PRE-LOAD THE UPS | Wait for the input network voltage values to stabilise within the ranges accepted by the UPS. |
| | FAULT IN THE UPS INPUT STAGE | Activate the maintenance bypass (SWMB) if present, turn the UPS off then back on again. Exclude the maintenance bypass. If the problem persists, contact the nearest service centre. |
| THE DISPLAY SHOWS ONE OR MORE OF THE FOLLOWING CODES: F11, F14, F17, L06, L07, L08, L09, L14, L17, L20 | ANOMALOUS LOADS APPLIED | Remove the load. Insert the maintenance bypass (SWMB) if present, turn the UPS off and back on again. Exclude the maintenance bypass. If the problem persists, contact the nearest service centre |
| | FAULT IN THE INPUT OR OUTPUT STAGE OF THE UPS | Activate the maintenance bypass (SWMB) if present, turn the UPS off and back on again. Exclude the maintenance bypass. If the problem persists, contact the nearest service centre |
| THE DISPLAY SHOWS ONE OR MORE OF THE FOLLOWING CODES: F03, F04, F05, A08, A09, A10 | CONNECTION MISSING ON ONE OR MORE PHASES (ONLY FOR THREE-PHASE INPUT MODELS) | With the three-phase connection the switch must be in position "↑ 3~". Check the connection of Phase 2 and Phase 3. |
| | CHECK THE POSITION OF THE SWITCH ON THE REAR OF THE UPS (ONLY FOR THREE-PHASE INPUT MODELS) | With the single-phase connection the switch must be in position "↓ 1~". Check the position of the switch selector. |
| | INTERNAL PROTECTION FUSES ON THE PHASE OR ON THE INPUT RELAY BROKEN | Contact the nearest service centre |

| PROBLEM | POSSIBLE CAUSE | SOLUTION |
|--|--|--|
| THE DISPLAY SHOWS THE FOLLOWING CODE: A13 | PROTECTION DEVICE UPSTREAM FROM THE BYPASS LINE OPEN (ONLY IF BYPASS IS SEPARATE) | Restore the protection device upstream. WARNING: check that there is no overload or short circuit at the output of the UPS |
| | BYPASS ISOLATOR OPEN (SWBYP ONLY IF BYPASS IS SEPARATE) | Close the isolator. |
| THE DISPLAY SHOWS THE FOLLOWING CODE: F19 | BATTERY CHARGER FAULT | Open the battery fuse holders (SWBATT) and insert the maintenance bypass (SWMB) if present, turn the UPS off completely. Turn the UPS back on and if the problem persists, contact the nearest service centre |
| THE DISPLAY SHOWS THE FOLLOWING CODE: A26 | BATTERY FUSES BLOWN OR FUSE HOLDER ISOLATORS OPEN | Replace the fuses or close the battery fuse holder isolator (SWBATT). WARNING: if necessary, we recommend fuses be replaced with others of the same type. |
| THE DISPLAY SHOWS THE FOLLOWING CODE: U06 | THE BATTERIES ARE DISCHARGED; THE UPS WAITS FOR THE BATTERY VOLTAGE TO EXCEED THE SET THRESHOLD | Wait for the batteries recharging or force start-up manually. |
| THE DISPLAY SHOWS ONE OR MORE OF THE FOLLOWING CODES: L01, L10, L38, L39, L41 | FAULT IN: <ul style="list-style-type: none"> ▪ TEMPERATURE PROBE OR UPS COOLING SYSTEM ▪ MAIN AUXILIARY POWER SUPPLY ▪ STATIC BYPASS SWITCH | Activate the maintenance bypass (SWMB) if present, turn the UPS off and back on again. Exclude the maintenance bypass. If the problem persists, contact the nearest service centre |
| THE DISPLAY SHOWS ONE OR MORE OF THE FOLLOWING CODES: A22, F23, L23 | THE LOAD APPLIED TO THE UPS IS TOO HIGH | Reduce the load to below the 100% threshold (or user threshold for the code A22) |
| THE DISPLAY SHOWS THE FOLLOWING CODE: L26 | SHORT CIRCUIT AT OUTPUT | Switch off the UPS. Disconnect all the devices. Turn the UPS back on. Reconnect the devices one by one until the fault is identified. |
| THE DISPLAY SHOWS THE FOLLOWING CODE: A39 | THE BATTERIES HAVE FAILED THE PERIODIC EFFICIENCY TEST | It is recommended to replace the batteries of the UPS, since they are no longer able to maintain the charge for a sufficient autonomy. Warning: The replacement of the batteries must be carried out by qualified personnel. |

| PROBLEM | POSSIBLE CAUSE | SOLUTION |
|--|--|---|
| <p>THE DISPLAY SHOWS ONE OR MORE OF THE FOLLOWING CODES: F34, L34</p> | <ul style="list-style-type: none"> ▪ AMBIENT TEMPERATURE HIGHER THAN 40°C ▪ HEAT SOURCES CLOSE TO THE UPS ▪ VENTILATION SLITS OBSTRUCTED OR TOO CLOSE TO THE WALLS | <p>Activate the maintenance bypass (SWMB) if present, without switching off the UPS. This way, the fans will cool the heat sink more rapidly. Eliminate the cause of the overtemperature and wait for the temperature of the heat sink to drop. Exclude the maintenance bypass.</p> |
| | <p>FAULT IN TEMPERATURE PROBE OR UPS COOLING SYSTEM</p> | <p>Insert the maintenance bypass (SWMB) if present, without switching off the UPS, so that the fans, while keeping running, cool the heat sink more rapidly and wait for the temperature of the heat sink to drop. Turn the UPS off and back on again. Exclude the maintenance bypass and if the problem persists, contact the nearest service centre.</p> |
| <p>THE DISPLAY SHOWS ONE OR MORE OF THE FOLLOWING CODES: F37, L37</p> | <ul style="list-style-type: none"> ▪ AMBIENT TEMPERATURE HIGHER THAN 40°C ▪ HEAT SOURCES CLOSE TO THE UPS ▪ VENTILATION SLITS OBSTRUCTED OR TOO CLOSE TO THE WALLS ▪ FAULT IN THE TEMPERATURE PROBE OR IN THE BATTERY CHARGER COOLING SYSTEM | <p>Eliminate the cause of the overtemperature. Activate the maintenance bypass (SWMB) if present, open the battery fuse holder isolators (SWBATT) and wait for the temperature of the battery charger heat sink to drop. Close the battery fuse holders. If the problem persists, contact the nearest service centre. WARNING: never open the SWBATT fuse holder isolators during battery operation.</p> |
| <p>THE DISPLAY SHOWS THE FOLLOWING CODE: L11</p> | <p>STATIC BYPASS RUPTURE OR FAULT</p> | <p>Activate the maintenance bypass (SWMB) if present. Turn the UPS off and back on again. Exclude the maintenance bypass and if the problem persists, contact the nearest service centre.</p> |
| <p>THE DISPLAY SHOWS NOTHING OR PROVIDES INCORRECT INFORMATION</p> | <p>THE DISPLAY HAS POWER SUPPLY PROBLEMS</p> | <p>Activate the maintenance bypass (SWMB), shut down the UPS completely and wait for a few seconds. Turn ON the UPS again and verify display regular operation. Exclude the maintenance bypass. If the fault persists, contact the nearest technical support centre.</p> |
| <p>THE DISPLAY IS OFF, THE FANS ARE OFF BUT THE LOAD IS POWERED</p> | <p>FAULT IN THE AUXILIARY POWER SUPPLIES. THE UPS IS IN BYPASS SUPPORTED BY THE REDUNANT POWER SUPPLY.</p> | <p>Activate the maintenance bypass (SWMB) if present. Switch off the UPS, wait for a minute and turn the UPS back on. If the display does not turn on or if the sequence fails, contact the nearest service centre, leaving the UPS in manual bypass mode.</p> |



ATTENTION:

The UPS in case of a permanent failure will be not able to supply the load. To ensure total protection of your equipment we suggest you install an ATS device (Automatic Transfer Switch) or an external automatic bypass. For more information visit www.riello-ups.com

STATUS / ALARM CODES

By using a sophisticated self-diagnostic system, this UPS can check and indicate on the display panel its status and any error and/or fault occurred during operation. Whenever a problem arises, the UPS signals the event by showing the code and the corresponding alarm on the display.

- **Commands:** these codes indicate that a command has been activated.

| CODE | DESCRIPTION |
|------|-------------------------------|
| C01 | Remote switch-off command |
| C02 | Remote load on bypass command |
| C03 | Remote start-up command |
| C04 | Battery test running |
| C05 | Manual bypass command |
| C06 | Emergency switch-off command |
| C08 | Load on bypass command |

- **User messages:** these messages refer to a specific configuration or operation of the UPS.

| CODE | DESCRIPTION |
|------|---|
| U01 | Low battery warning |
| U02 | Programmed switch-off enabled |
| U03 | Programmed switch-off imminent |
| U04 | Bypass disabled |
| U05 | Synchronisation disabled (UPS in Free running mode) |
| U06 | Waiting for battery charging |
| U07 | Service UPS |
| U08 | Service Batteries |

- **Anomalies:** these are “minor” problems, which do not bring the UPS to a halt, but can reduce its performance or inhibit the use of some of its functions.

| CODE | DESCRIPTION |
|------|--|
| A03 | Inverter not synchronised |
| A05 | Overvoltage on input line of Phase1 |
| A06 | Overvoltage on input line of Phase2 |
| A07 | Overvoltage on input line of Phase3 |
| A08 | Undervoltage on input line of Phase1 |
| A09 | Undervoltage on input line of Phase2 |
| A10 | Undervoltage on input line of Phase3 |
| A11 | Input frequency outside tolerance limits |
| A13 | Voltage on bypass line of Phase1 out of tolerance limits |
| A16 | Bypass frequency out of tolerance limits |
| A18 | Voltage on bypass line out of tolerance limits |
| A22 | Load on Phase1 > user-defined threshold |
| A25 | Output isolator open |
| A26 | Positive branch batteries missing or battery fuses open |
| A29 | System temperature probe damaged |
| A30 | System temperature < 0°C |
| A31 | System temperature too high |
| A32 | Temperature of heat sink Phase1 < 0°C |
| A37 | External battery temperature probe damaged |
| A38 | External battery overtemperature |
| A39 | Positive branch batteries must be replaced |

- **Faults:** These are more critical problems compared to the “Anomalies”, as if they persist they may bring the UPS to a halt even in a very short time.

| CODE | DESCRIPTION |
|------|---|
| F01 | Internal communication error |
| F03 | Phase1 input fuse blown |
| F04 | Phase2 input fuse blown or input relay locked (will not close) |
| F05 | Phase3 input fuse blown or input relay locked (will not close) |
| F09 | Precharge of positive branch condensers failed |
| F10 | Precharge of negative branch condensers failed |
| F11 | BOOST stage anomaly |
| F14 | Inverter Phase1 sine curve distorted |
| F17 | Inverter stage anomaly |
| F19 | Positive battery overvoltage |
| F23 | Output overload |
| F26 | Phase1 output relay locked (will not open) |
| F29 | Phase1 output fuse broken or output relay locked (will not close) |
| F32 | Battery charger stage anomaly |
| F33 | Battery measures error |
| F34 | Heat sink overtemperature |
| F37 | Battery charger overtemperature |
| F39 | VDC Bus measures error |
| F40 | Fan failure |
| F41 | Redundant Bypass failure |

- **Locks:** these codes indicate that the UPS, or one of its parts, is locked. Usually, they are preceded by an alarm signal. In case of faults and consequent locking of the inverter, the latter will be turned off and the load will be powered via the bypass line (this procedure is excluded for locks caused by serious and persistent overloads and for those caused by a short circuit).

| CODE | DESCRIPTION |
|------|--|
| L01 | Incorrect auxiliary power supply |
| L02 | One or more internal cables disconnected |
| L03 | Phase1 input fuse broken |
| L04 | Phase2 input fuse broken or input relay locked (will not close) |
| L05 | Phase3 input fuse broken or input relay locked (will not close) |
| L06 | BOOST stage overvoltage positive |
| L07 | BOOST stage overvoltage negative |
| L08 | BOOST stage undervoltage positive |
| L09 | BOOST stage undervoltage negative |
| L10 | Static bypass switch fault |
| L11 | L1 bypass output locked |
| L14 | Phase1 inverter overvoltage |
| L17 | Phase1 inverter undervoltage |
| L20 | Continuous voltage at inverter output or Sine curve of Phase1 inverter distorted |
| L23 | Phase1 output overload |
| L26 | Short circuit at Phase1 output |
| L34 | Phase1 heat sink overtemperature |
| L37 | Battery charger overtemperature |
| L38 | Temperature probe 1 damaged |
| L39 | Temperature probe 2 damaged |
| L41 | Battery charger temperature probe damaged |
| L49 | Inverter capacitor damaged |

TECHNICAL DATA

| UPS MODELS | 5 kVA | 6 kVA | 8 kVA | 10 kVA |
|------------|-------|-------|-------|--------|
|------------|-------|-------|-------|--------|

SINGLE-PHASE INPUT (1~) ⁽¹⁾

| | | | | |
|--|-------|---|----|----|
| Nominal voltage | [Vac] | 220 – 240 (1P+N+PE) | | |
| Earthing system | | TN - TT - IT | | |
| Maximum operating voltage | [Vac] | 300 | | |
| Nominal frequency | [Hz] | 50 - 60 | | |
| Accepted tolerance for input voltage without activation of battery | | ±20% @ 100% load -40% +20% @50% load | | |
| Accepted tolerance for input frequency without activation of battery (for 50/60Hz) | | ±20% 40-72Hz | | |
| Rated current ⁽²⁾ | [A] | 25 | 30 | 40 |

THREE-PHASE INPUT (3~) ⁽¹⁾

| | | | | |
|--|-------|---|-----------------------|--|
| Nominal voltage | [Vac] | 380 - 415 (3W+N+PE) | | |
| Maximum operating voltage towards Neutral (N) | [Vac] | 300 | | |
| Nominal frequency | [Hz] | 50 - 60 | | |
| Accepted tolerance for input voltage without activation of battery | | ±20% @ 100% load -40% +20% @50% load | | |
| Accepted tolerance for input frequency without activation of battery (for 50/60Hz) | | ±20% 40-72Hz | | |
| Rated current ⁽¹⁾ | [A] | L1, L2, L3 = 15 | L1, L2, L3 = 18 | |
| Current in operation from BYPASS ⁽³⁾ | [A] | L1 = 40 L2, L3 = 0 | L1 = 50 L2, L3 = 0 | |

BATTERY

| | | | | |
|--|-------|----------------------------|-----|--|
| Recharge time (standard versions) | [h] | < 4h for 80% of the charge | | |
| Nominal voltage | [Vdc] | 180 | 240 | |
| Maximum recharging current (only for ER versions) ⁽⁴⁾ | [A] | 6 | 6 | |

OUTPUT

| | | | | |
|--|----------------------------|--|---|------|
| Nominal voltage ⁽⁵⁾ | [Vac] | Selectable: 220 / 230 / 240 | | |
| Frequency ⁽⁶⁾ | [Hz] | Selectable: 50 / 60 | | |
| Rated apparent output power | [kVA] | 5000 | 6000 | 8000 |
| Rated active output power | [kW] | 5000 | 6000 | 8000 |
| Overloading: 100% < load < 110% | Bypass line available: | Bypass activated after 10 min. Then continues to work on bypass line | | |
| | Bypass line not available: | Blocked after 10 min | | |
| Overloading: 110% < load < 130% | Bypass line available: | Bypass activated after 1 min. Blocked after 1 hour | | |
| | Bypass line not available: | Blocked after 1 min | | |
| Overload: 130% < load < 150% | Bypass line available: | Bypass activated after 5 s. Blocked after 10 min | | |
| | Bypass line not available: | Blocked after 5 s | | |
| Load overload > 150% | Bypass line available: | Bypass immediately activated. Blocked after 3 s | | |
| | Bypass line not available: | Blocked after 0.5 s | | |
| Short circuit current (Bypass line not available) | | $I_{cc} = 2.5 I_n \times 200 \text{ ms} + 1.5 I_n \times 300 \text{ ms}$ | | |
| Short circuit current with available bypass line | | bypass activated instantaneously | | |
| Specification of Bypass SCR (to size the bypass line protection) | | $I^2 t_{max} = 4325 \text{ A}^2 \text{ s}$ | $I^2 t_{max} = 11250 \text{ A}^2 \text{ s}$ | |

OTHER DATA

| | | | | | |
|---|------|---|-------|----|----|
| Leakage current towards ground | [mA] | < 1.5 | ≤ 1.7 | | |
| Room temperature ⁽⁷⁾ | [°C] | 0 – 40 | | | |
| Humidity | | 5 ÷ 95 % without condensation | | | |
| Storage temperature | [°C] | -15 ÷ 40 (UPS with batteries) -25 ÷ 60 (UPS without batteries) | | | |
| Maximum operating altitude | [m] | 1000 a.s.l. (derating of 1% for each 100m between 1000 and 4000m) | | | |
| Safety standard | | CEI EN 62040-1 (General and safety requirements for UPS) | | | |
| Pollution degree | | PD2 | | | |
| Overvoltage category | | OVC II | | | |
| Protective class | | Class I | | | |
| IP protection class | | IP20 (IP21 available on request) | | | |
| Protection devices | | excessive battery discharge - over current - short circuit - over voltage - under voltage - thermal | | | |
| Dimensions W x D x H | [mm] | 250x698x500 | | | |
| Dimensions W x D x H (only for ER versions) | [mm] | 250x698x500 | | | |
| Weight | [Kg] | 62 | 63 | 78 | 84 |
| Weight (only for ER versions) | | | 25 | | 28 |

| | | | | |
|------------------------------|-----------------------|-----------------------|-----------------------|-----------------------|
| BATTERY CABINET MODEL | KSTW180-A----- | KSTW180-M----- | KSTW240-A----- | KSTW240-M----- |
| | KSTW180-L----- | KSTW180-V----- | KSTW240-L----- | KSTW240-V----- |

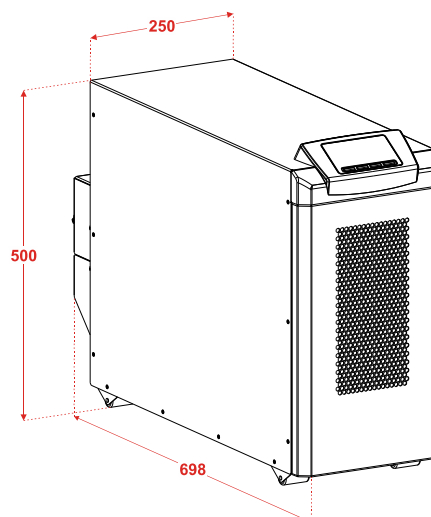
| | | | | | |
|-----------------------|-------|-----------------|-----|----|-----|
| Rated battery voltage | [Vdc] | 180 | 240 | | |
| Dimensions W x D x H | [mm] | 250 x 698 x 500 | | | |
| Weight | [Kg] | 57 | 87 | 67 | 107 |

The “-” symbol replaces an alphanumeric code for internal use.

For additional details regarding technical data refer to website

- (1) For the input technical data of the three-phase input models configured as single-phase input “1~”, refer to the “SINGLE-PHASE INPUT” section in the table
- (2) @ rated load, rated voltage of 220 VAC towards Neutral, battery charging
- (3) In the Bypass operating mode, all the load current is absorbed by the Phase 1 input line
- (4) The recharging current is regulated automatically according to the capacity of the battery installed. Derating of the current delivered with a load greater than 80%.
- (5) To maintain output voltage within the accuracy range specified, recalibration may be necessary after a long period of operation.
- (6) If the mains frequency is within ± 5% of the selected value, the UPS is synchronized with the mains. If the frequency is out of tolerance range or in battery operation, the frequency is that selected ± 0.1%.
- (7) 20 - 25 °C for maximum battery life.

MECHANICAL DIMENSION





RIELLO ELETTRONICA

www.riello-ups.com

RPS SpA – *Riello Power Solutions*
Viale Europa, 7
37045 Legnago (VR)
Italy

OMNSTW5KORJENUB